

به نام خدا



مرکز دانلود رایگان
مهندسی متالورژی و مواد

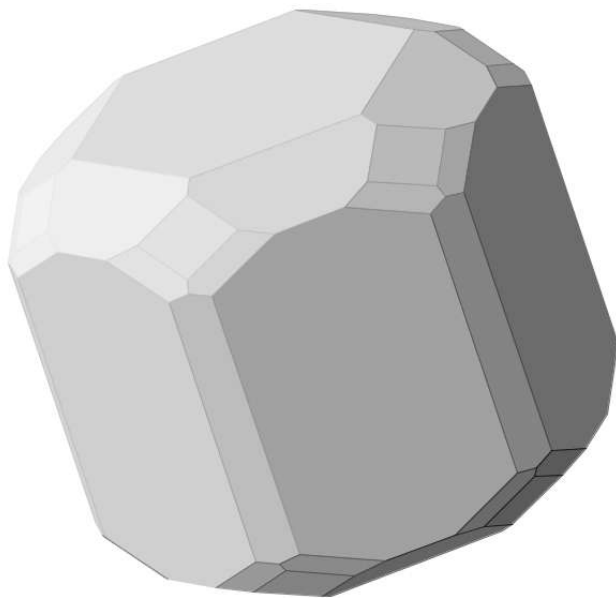
www.Iran-mavad.com



Steffen Weber's

Crystallography Picture Book

Crystal Forms

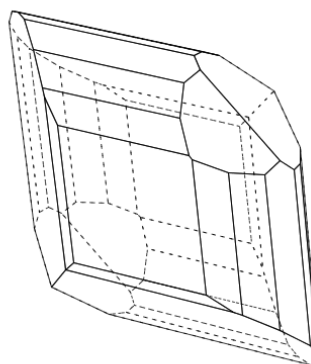
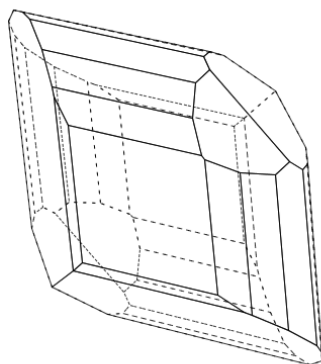
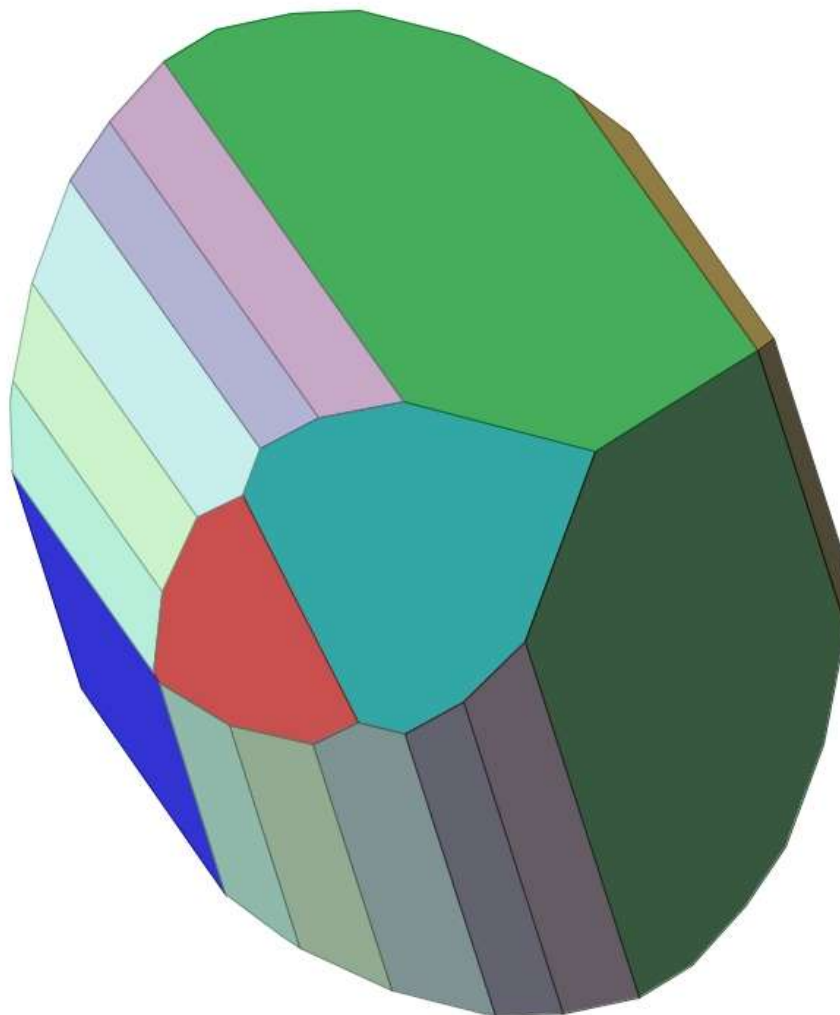


Preface

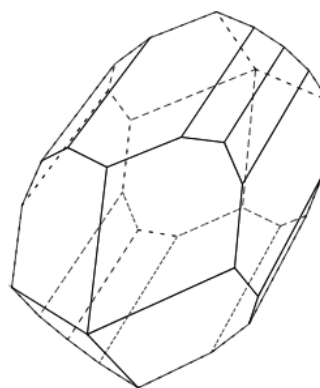
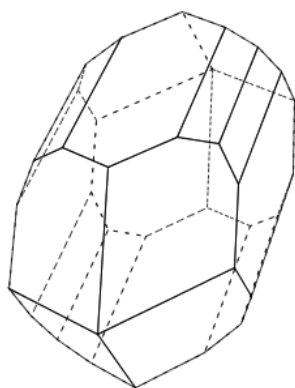
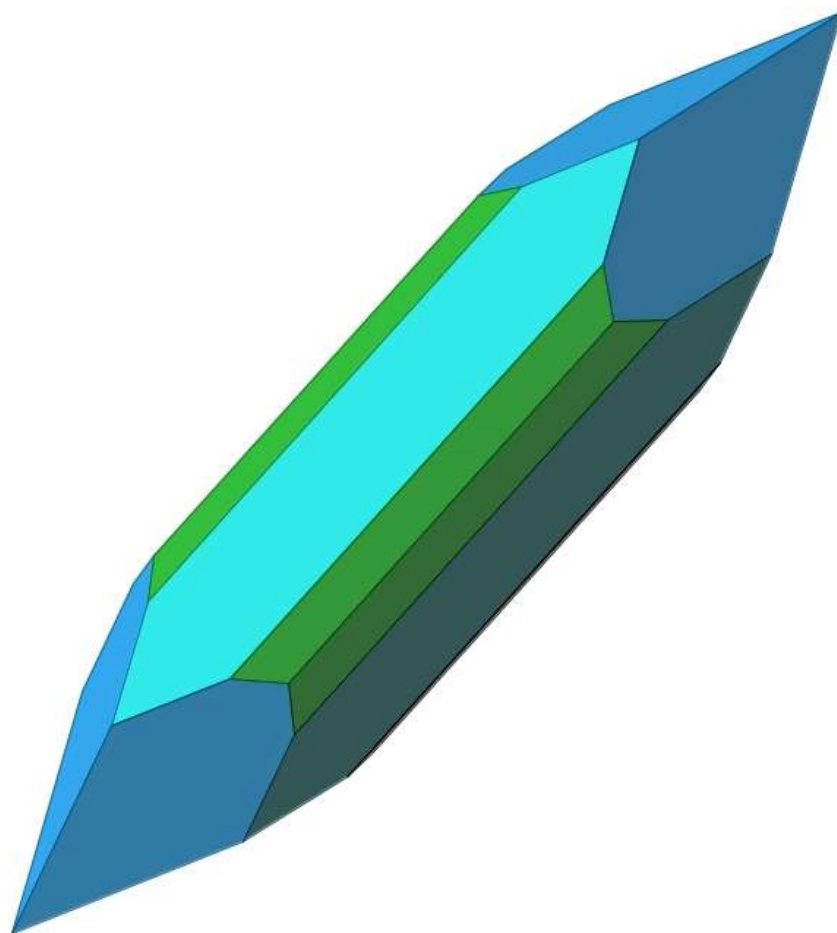
This is volume three in the series of picture books that I am creating for educational purposes. All images in this volume were created using the program *JCrystal* (www.jcrystal.com). In the past I had written several MSDOS programs for the display of polyhedra and crystal shapes. Then I wrote a Java version called *JShape*, in order to visualize a crystal for which we needed to calculate absorption corrections. Then in 1999 I created *JCrystal*, in order to make such a program available to a wider circle of people with an interest in crystal shapes. Of course there are other free and commercial programs available such as *Faces* by Georges Favreau and *Shape* by Eric Dowty. However, *JCrystal* is the only one that also exports webpages and includes a Java applet called *JCrystalApplet*, which can display the created shapes interactively in a webpage. See for example the online mineral database at www.webmineral.com by Dave Barthelmy, who used *JCrystal* to create more than 600 data files and who uses the *JCrystalApplet* extensively on his website. All data files used for this volume were created by Dave Barthelmy and Udo Behner (<http://www.kristallzuechtung.de/galerie.htm>).

Steffen Weber, Ph.D.
December 11, 2004
Livermore, California
www.jcrystal.com/steffenweber

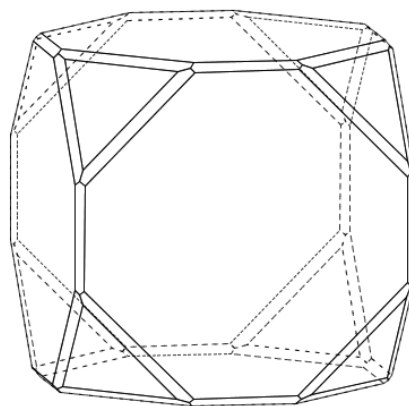
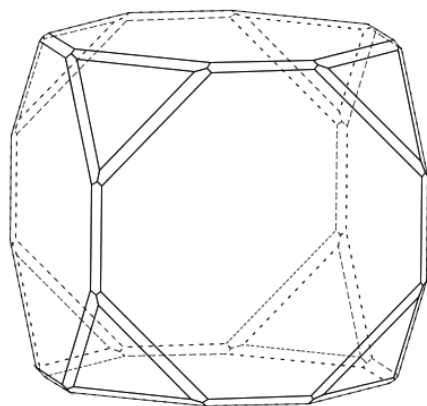
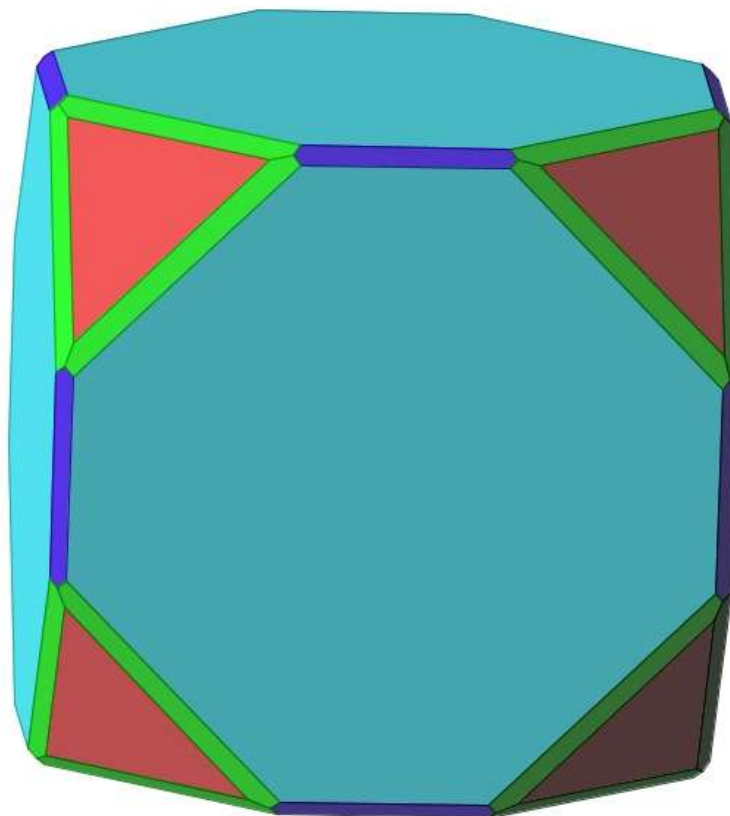
Amarillite



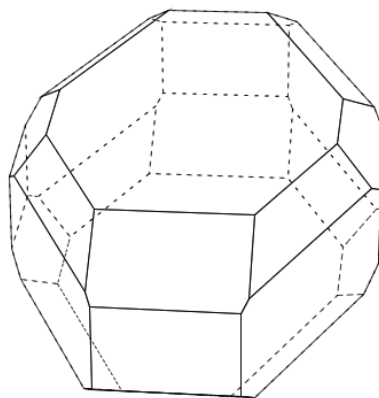
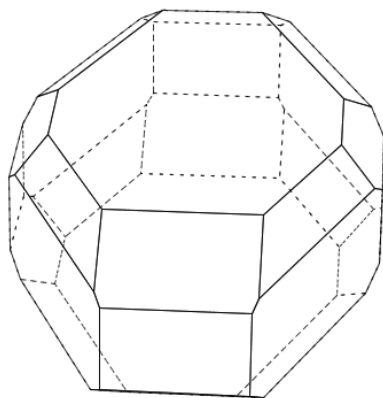
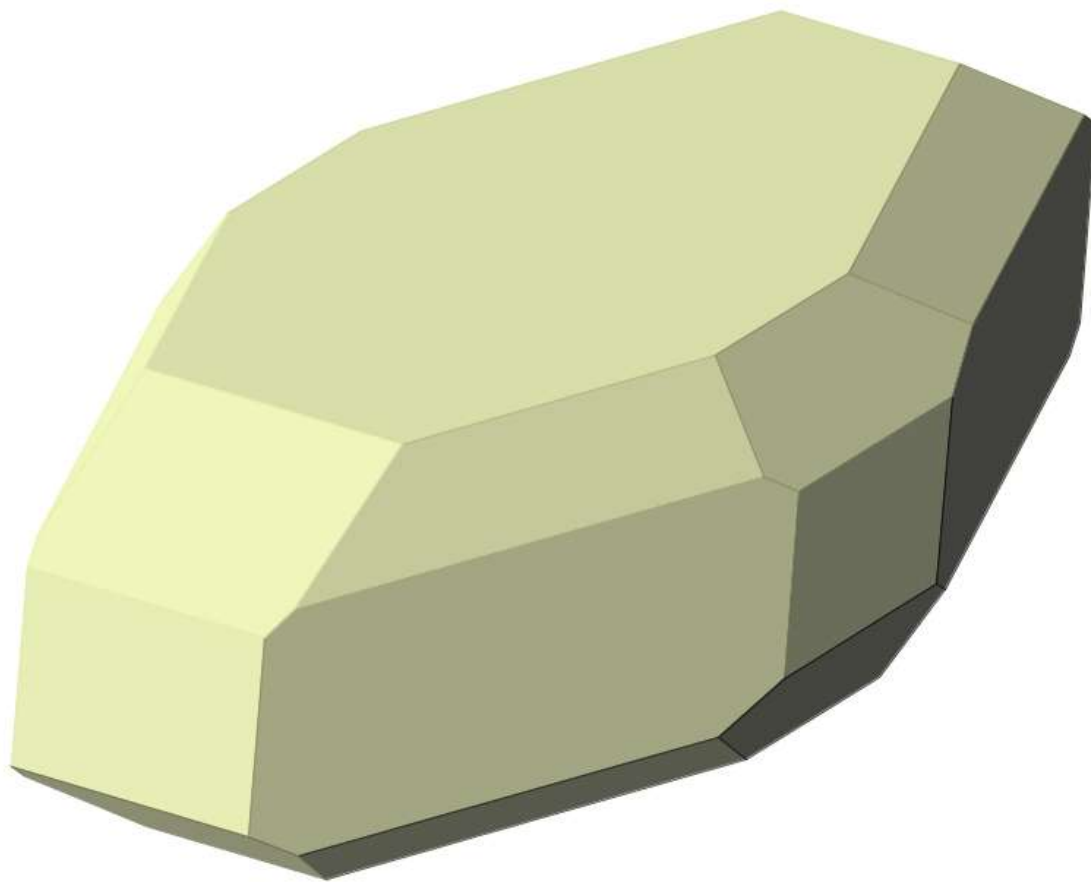
Apophyllite



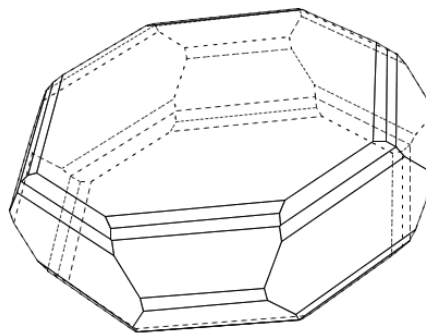
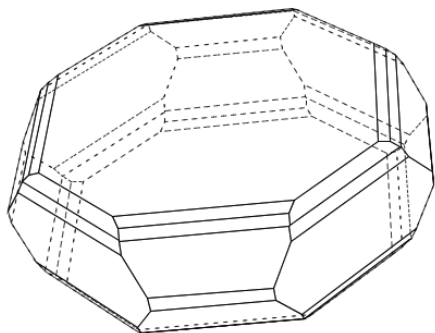
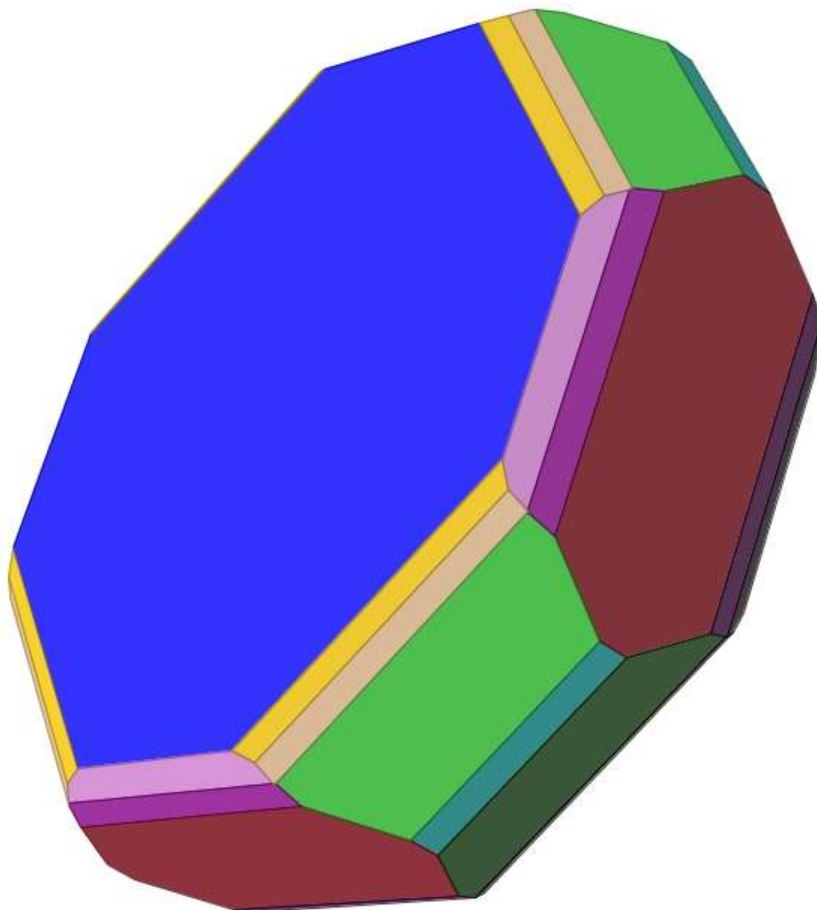
Argentite



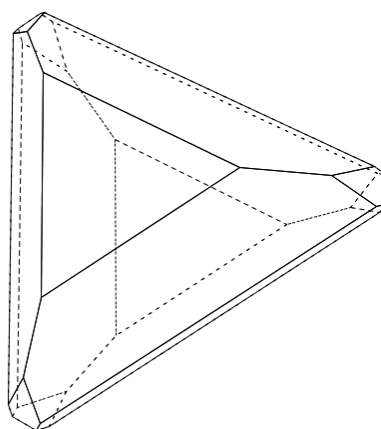
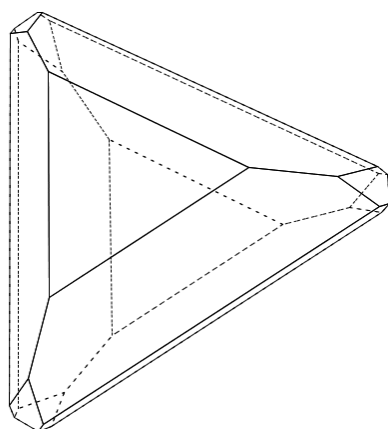
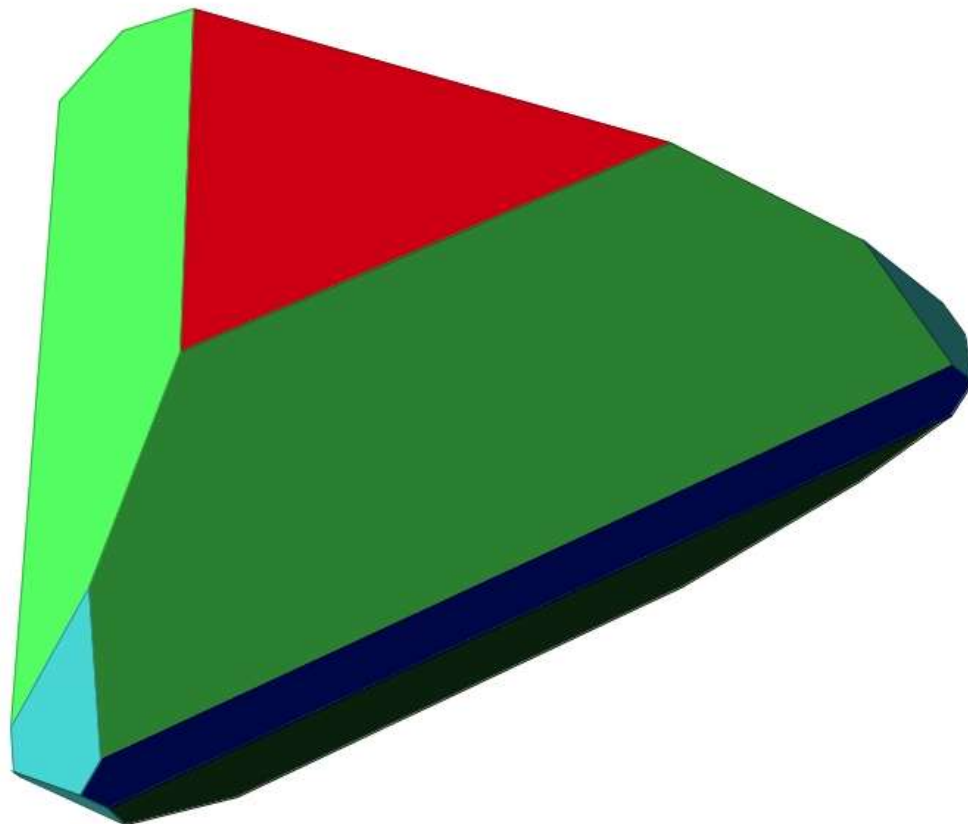
Augelite



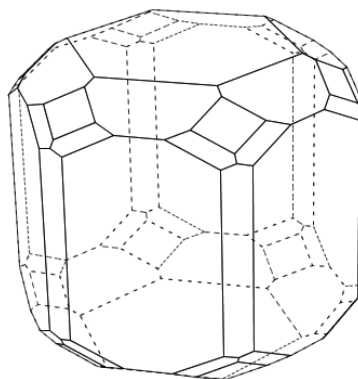
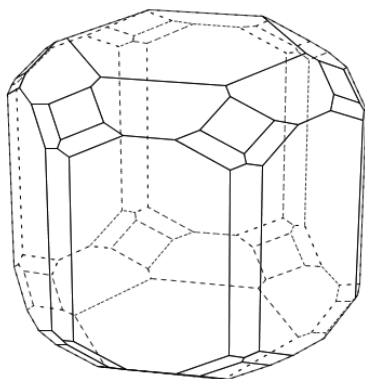
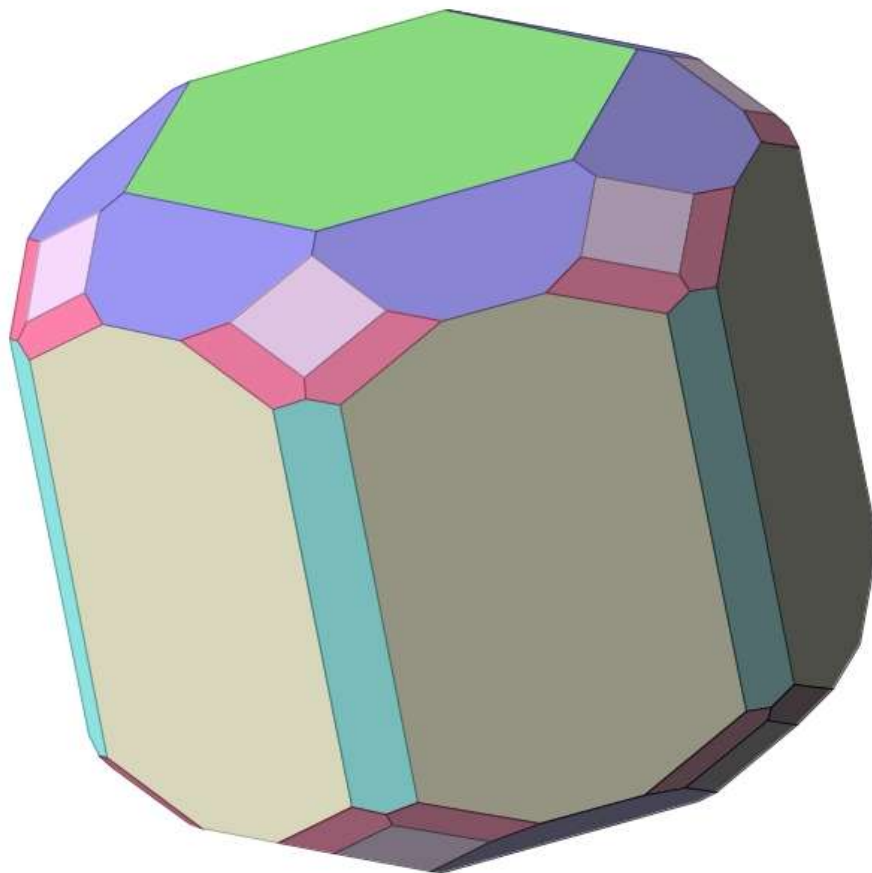
Bandylyte



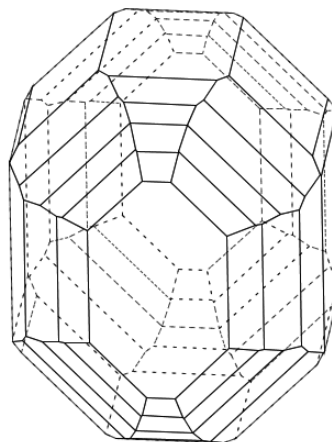
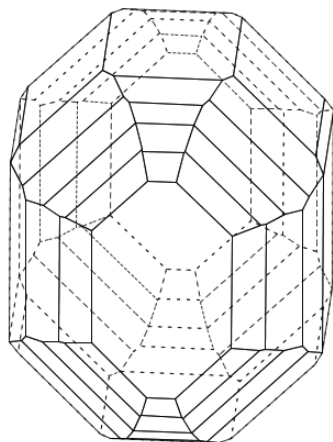
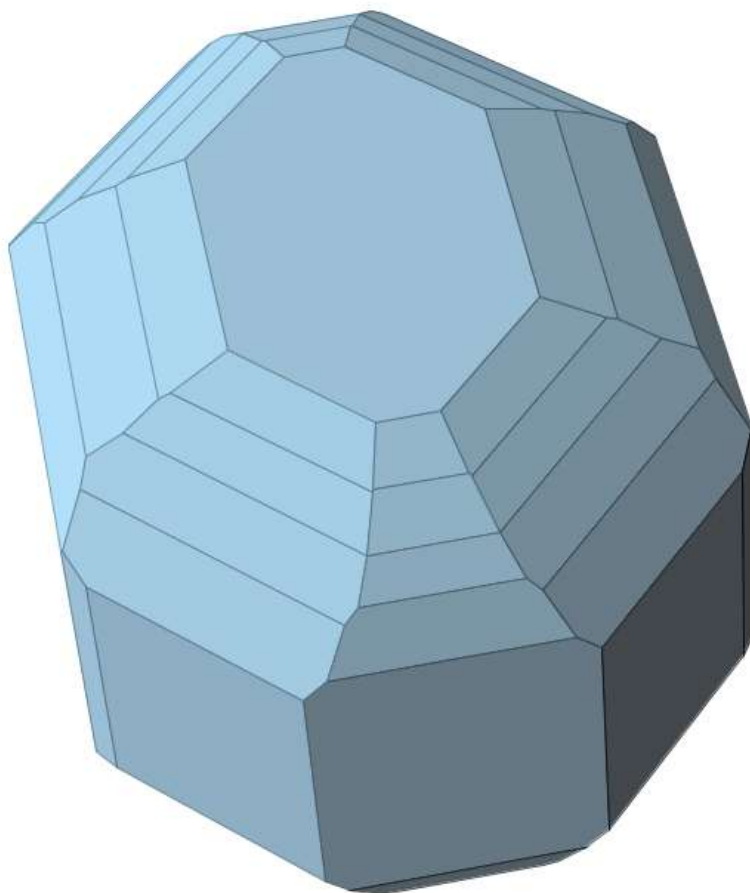
Benitoite



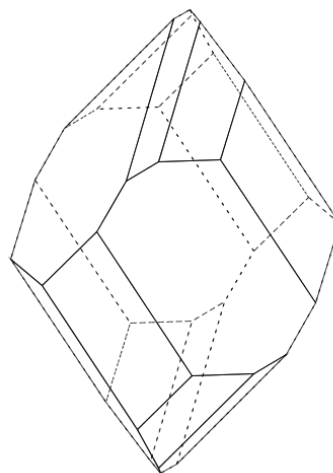
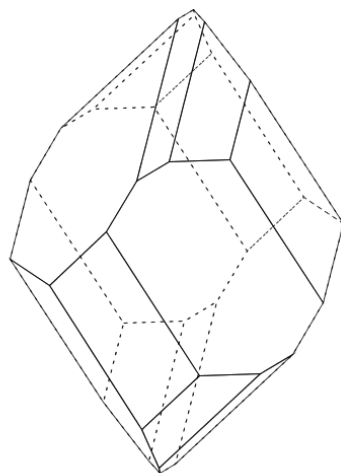
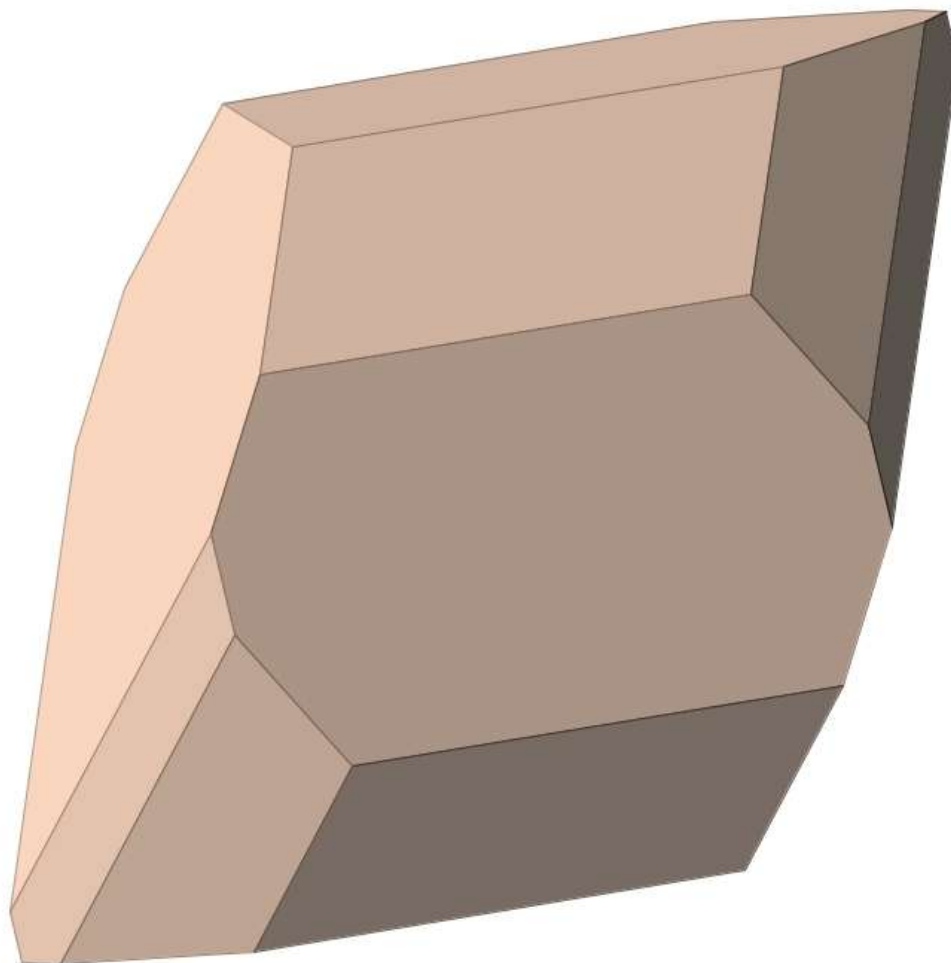
Beryll



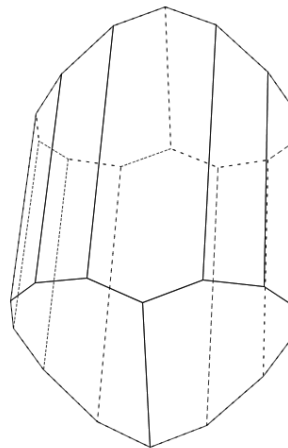
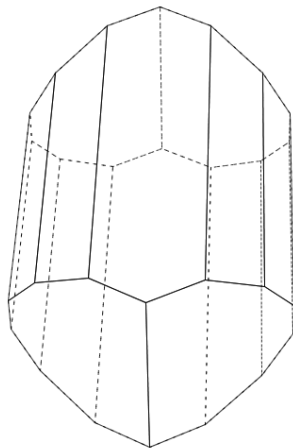
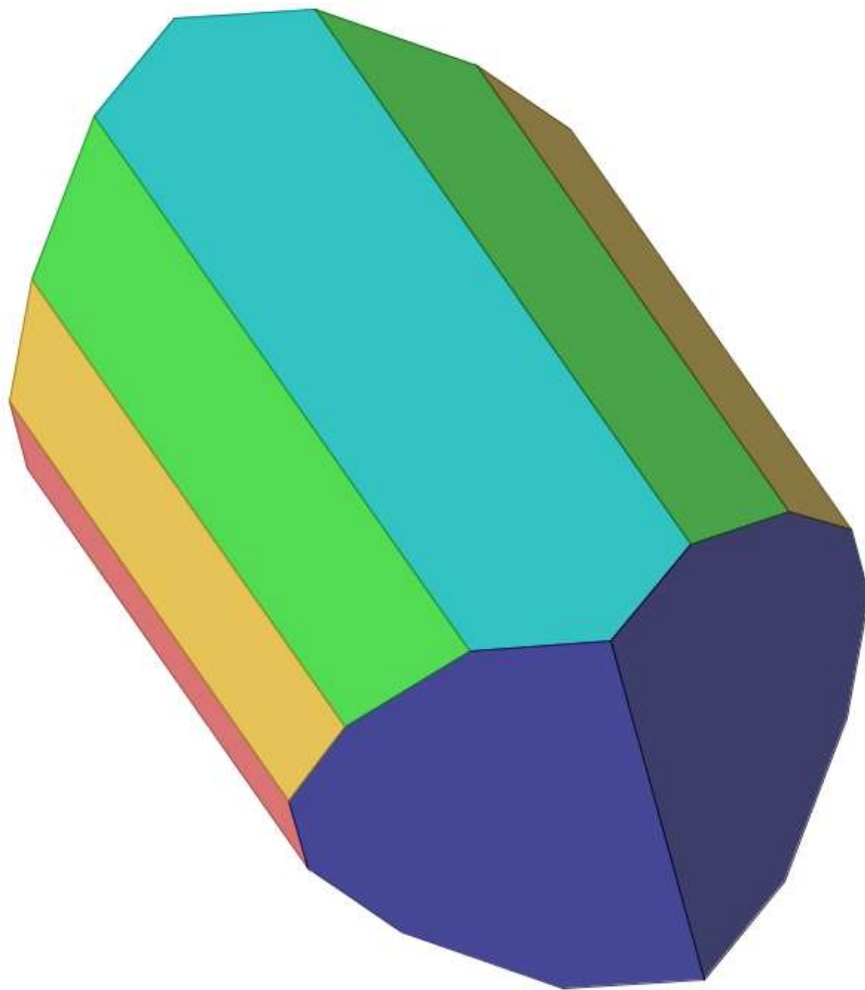
Beryllonite



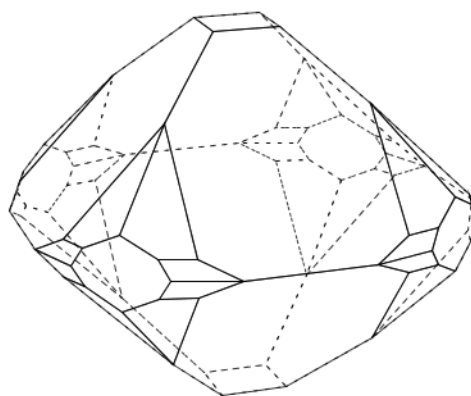
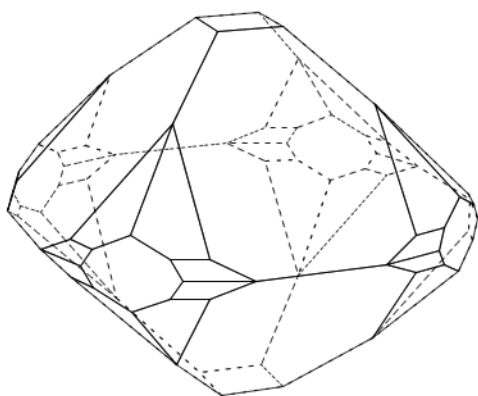
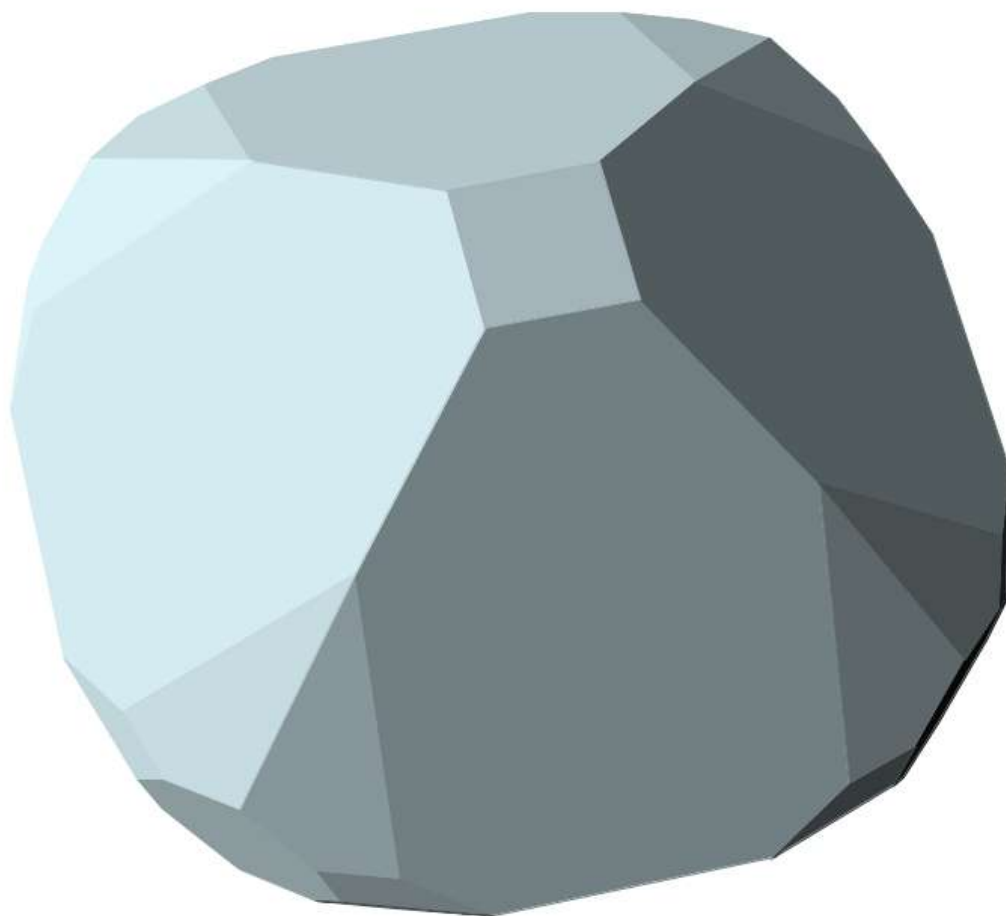
Borax



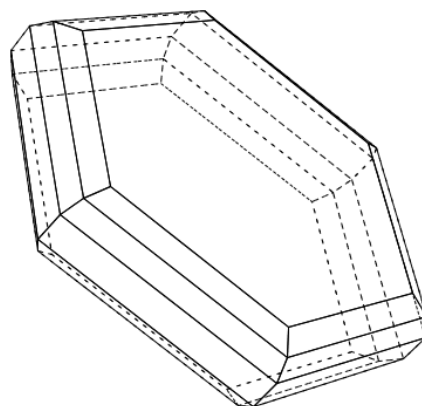
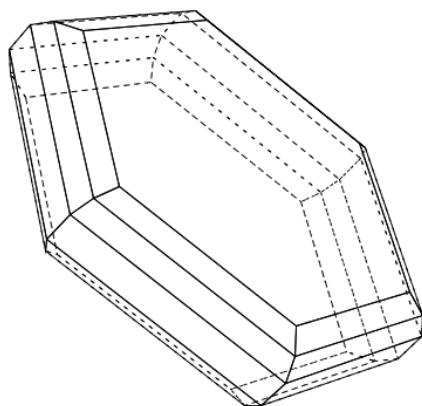
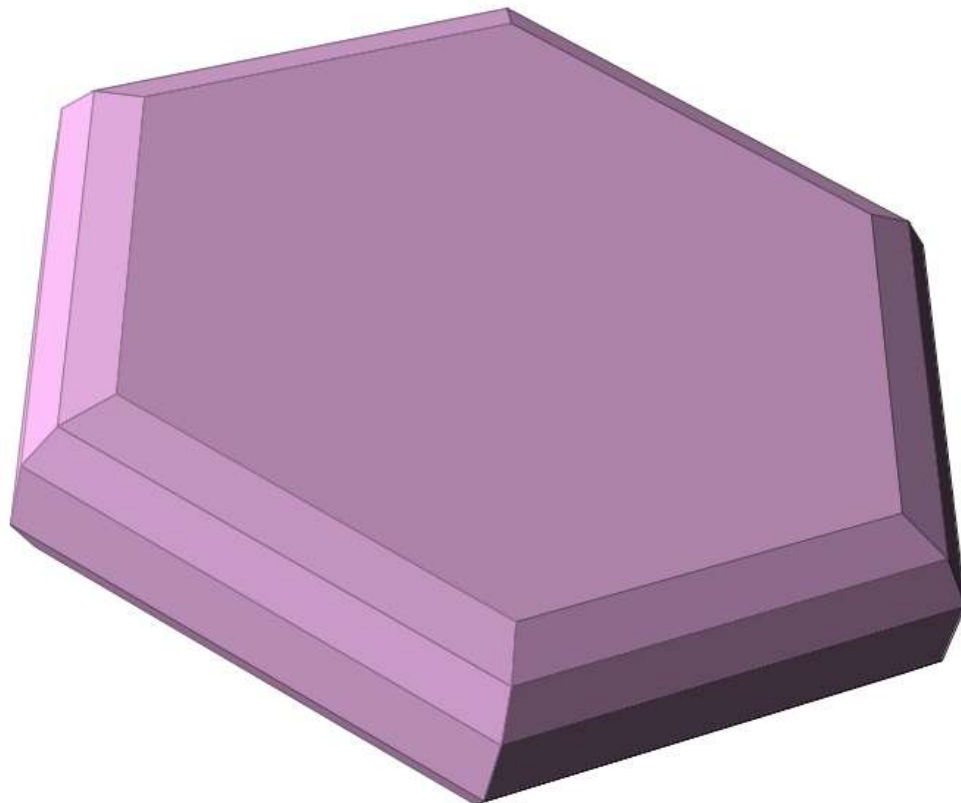
Brandtite



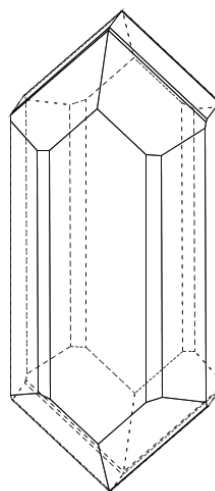
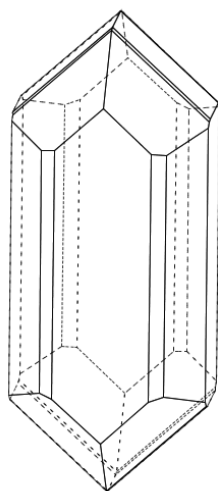
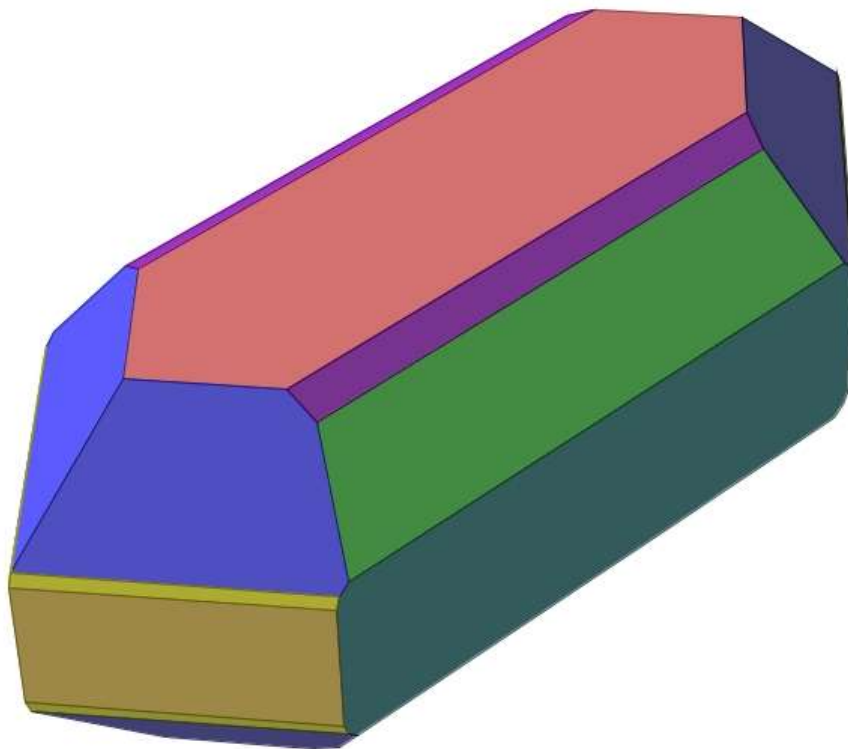
Braunite



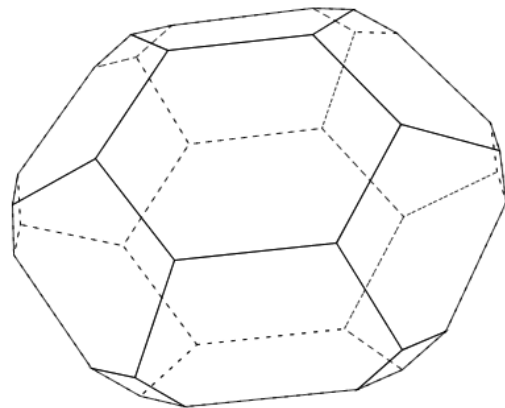
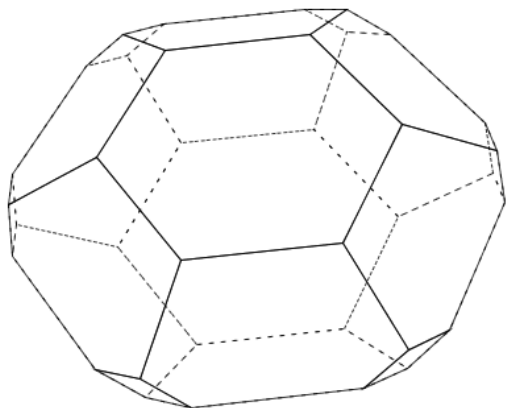
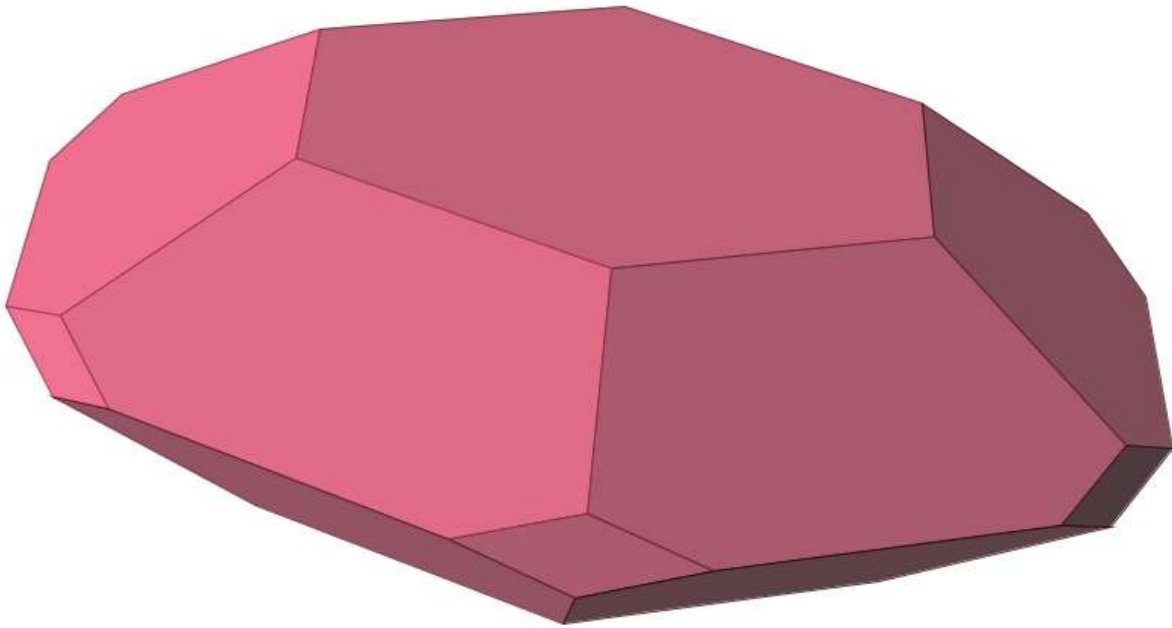
Breithauptite



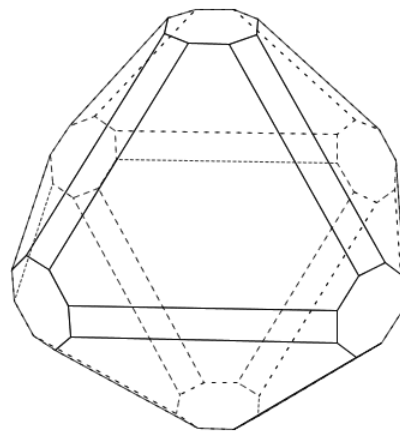
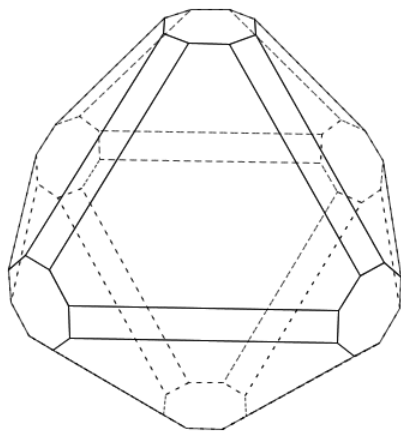
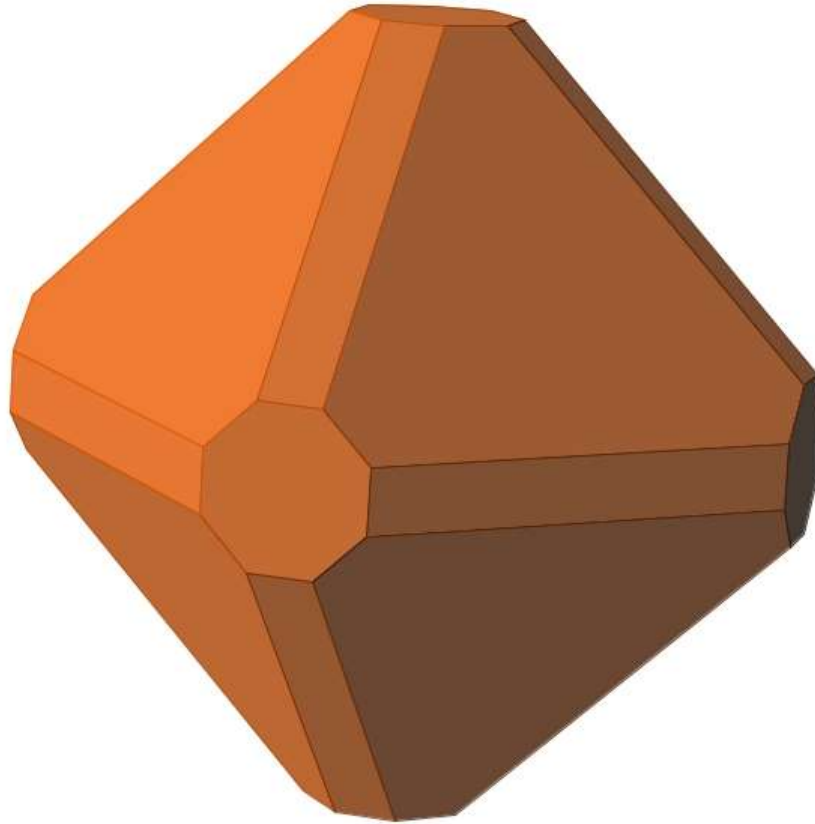
Caledonite



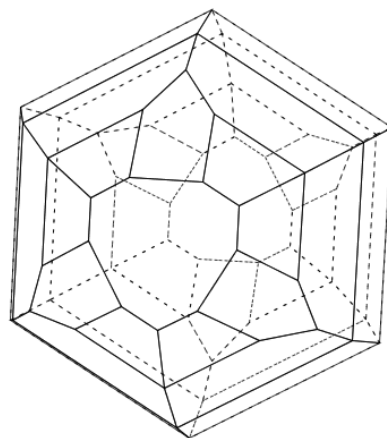
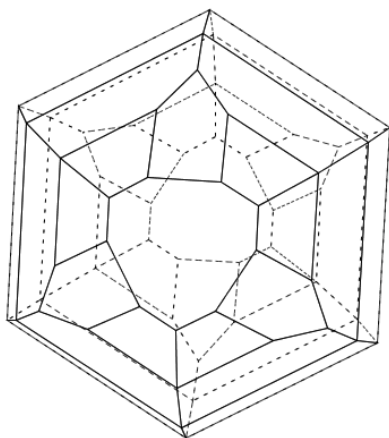
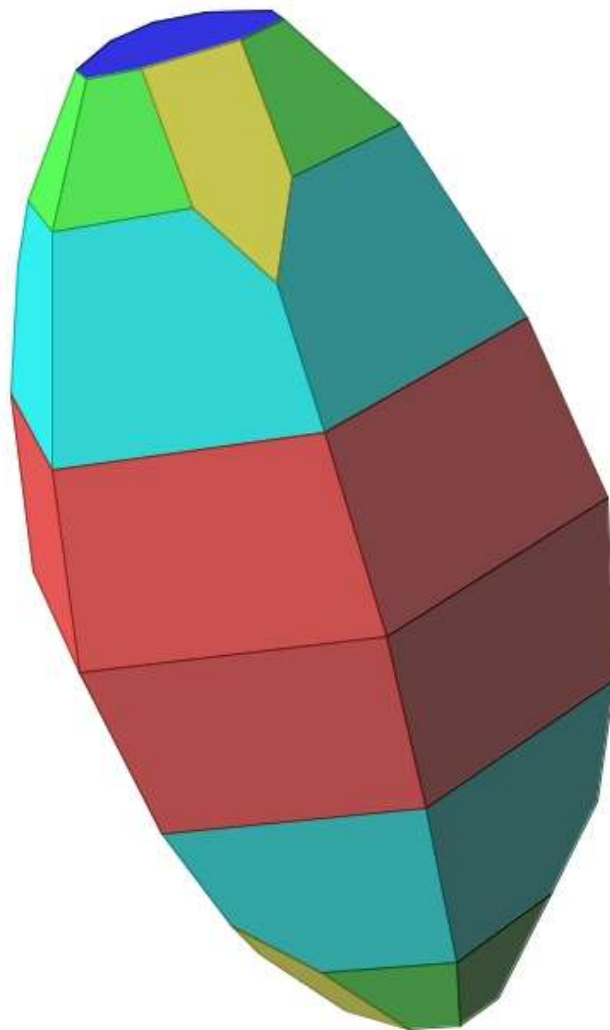
Chlorapatite



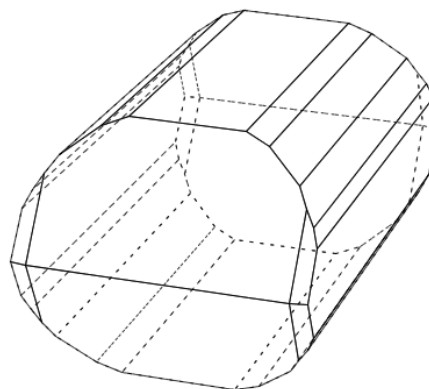
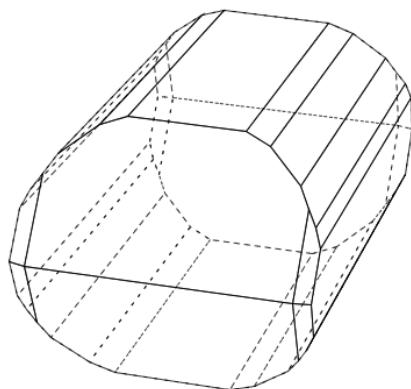
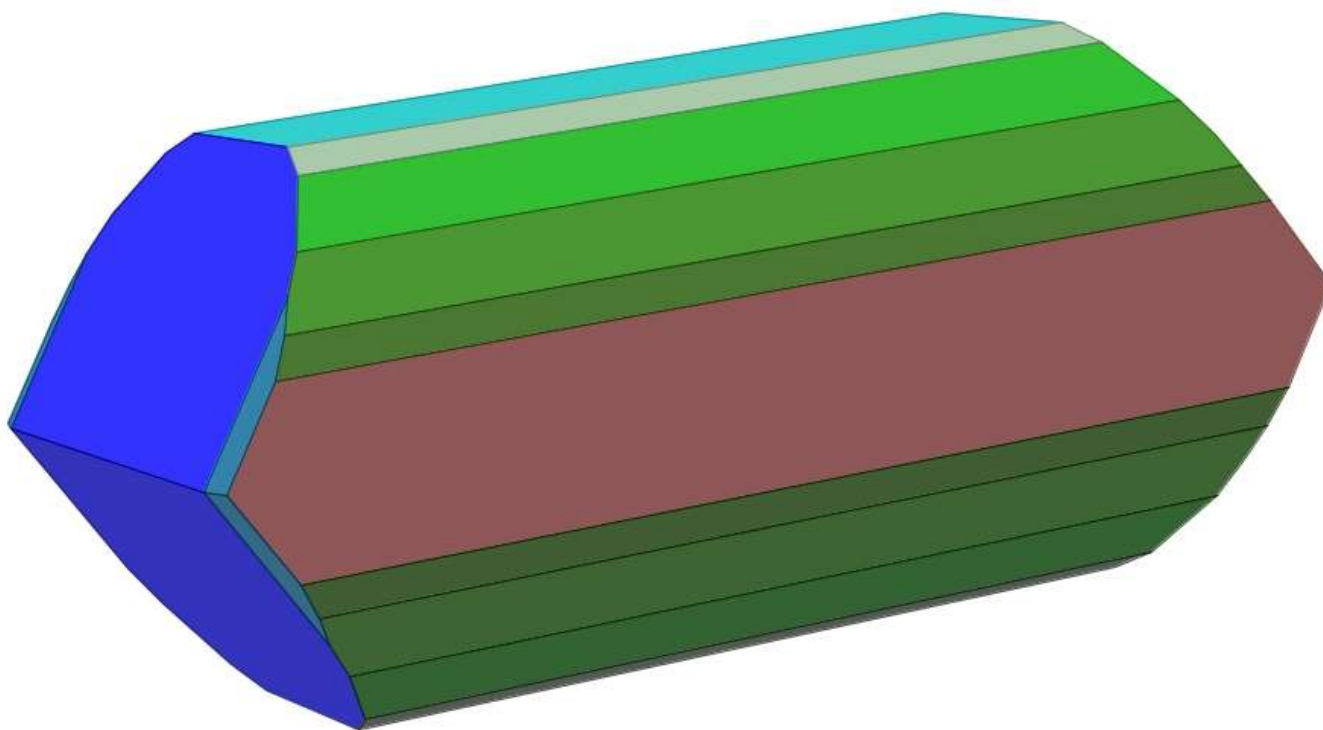
Copper



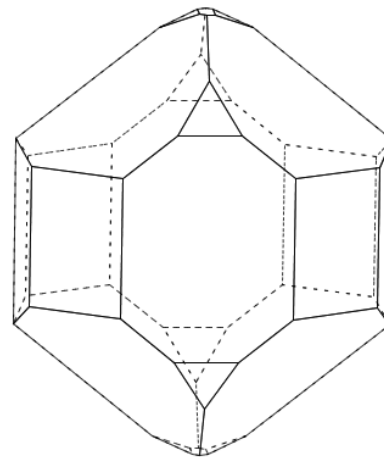
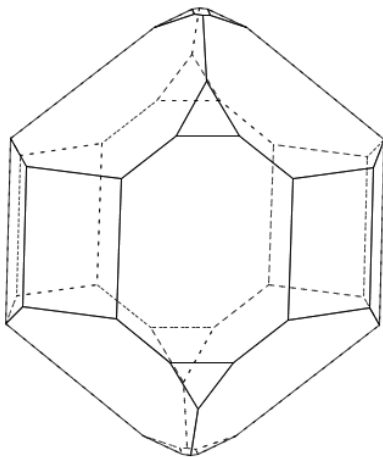
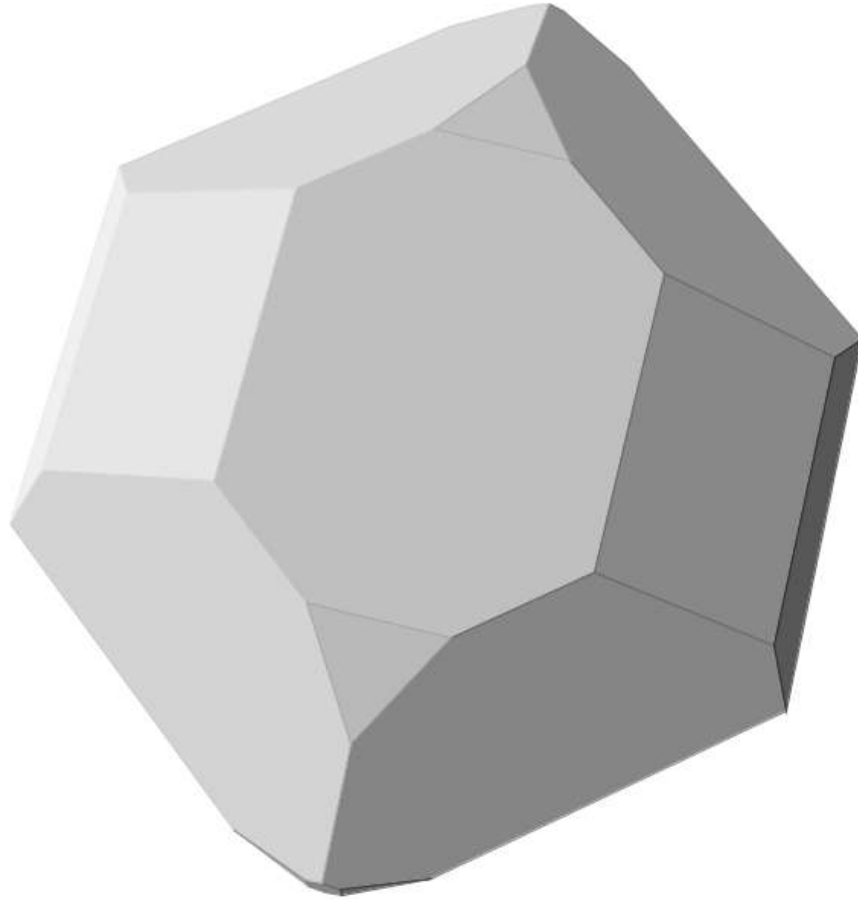
Corundum



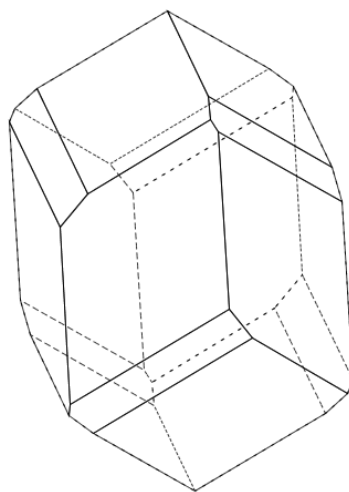
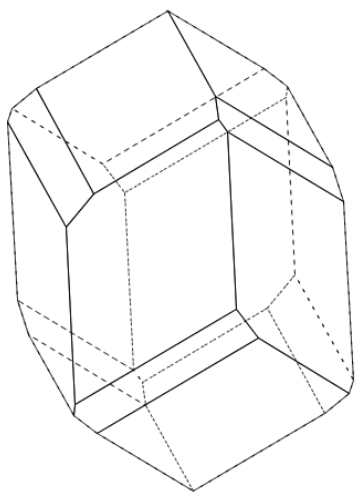
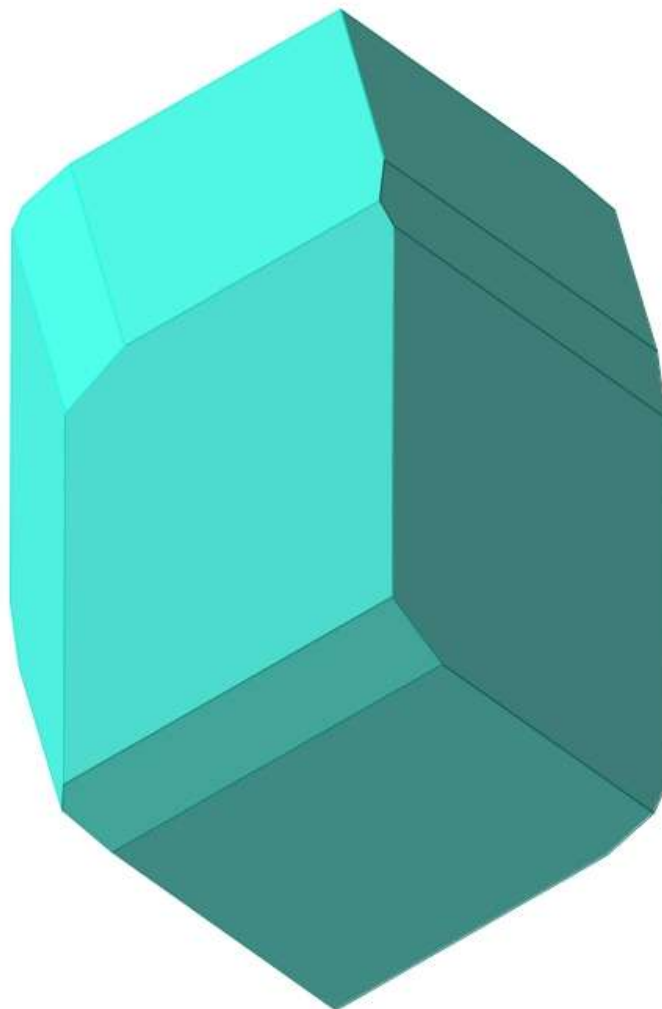
Cosalite



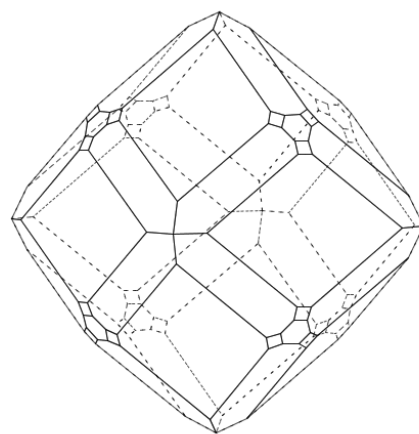
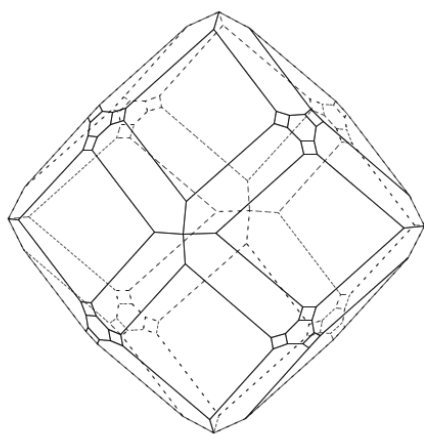
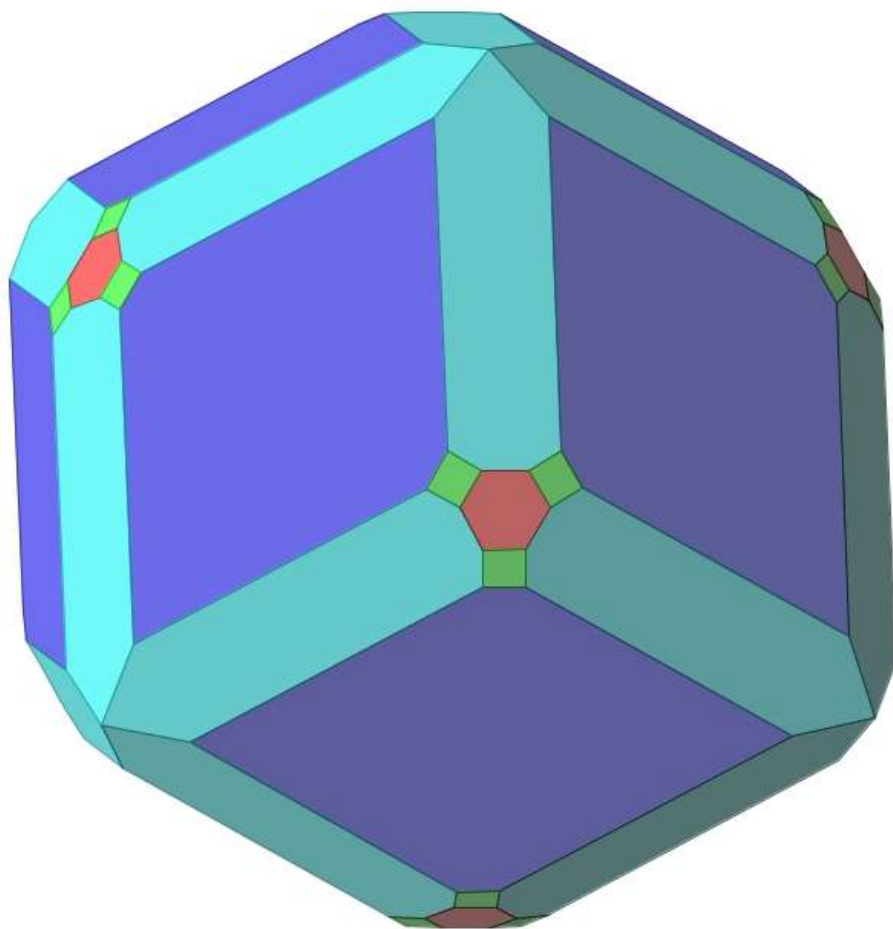
Descloizite



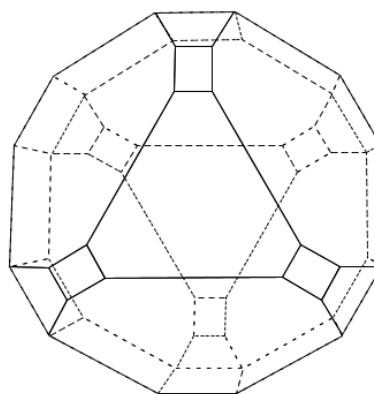
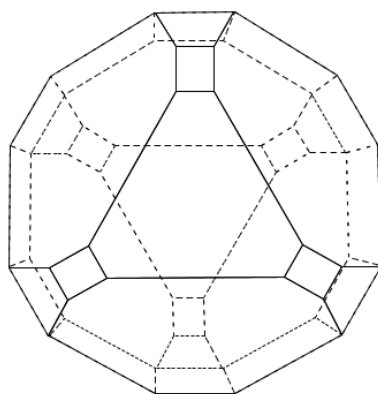
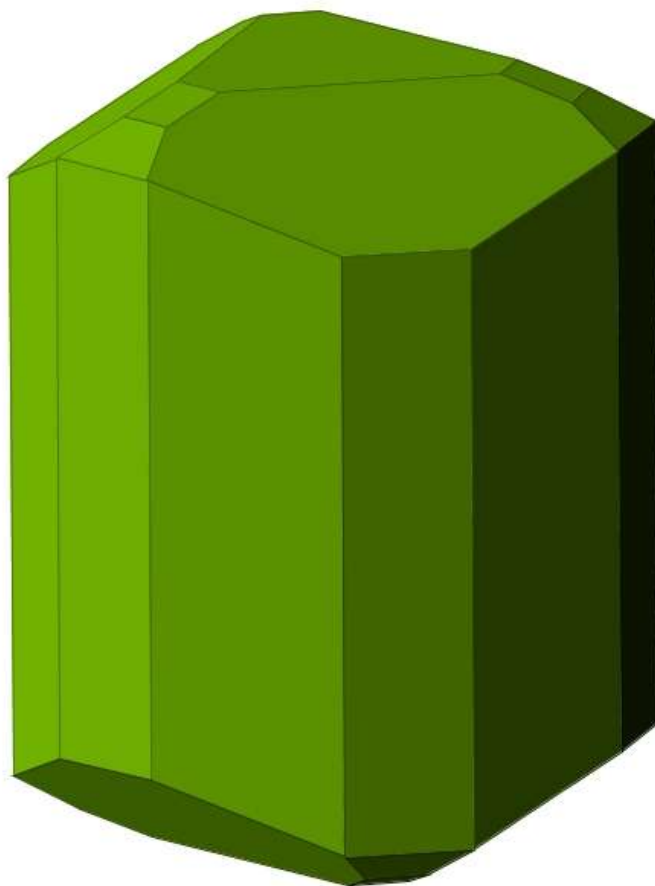
Dioptase



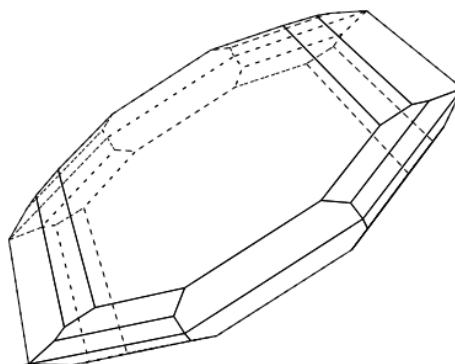
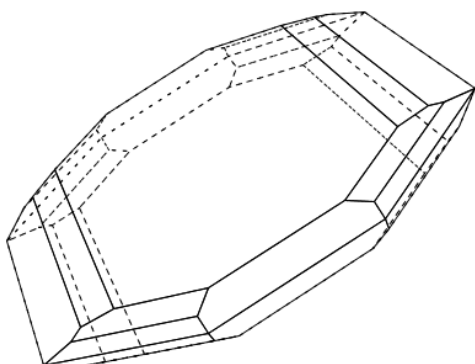
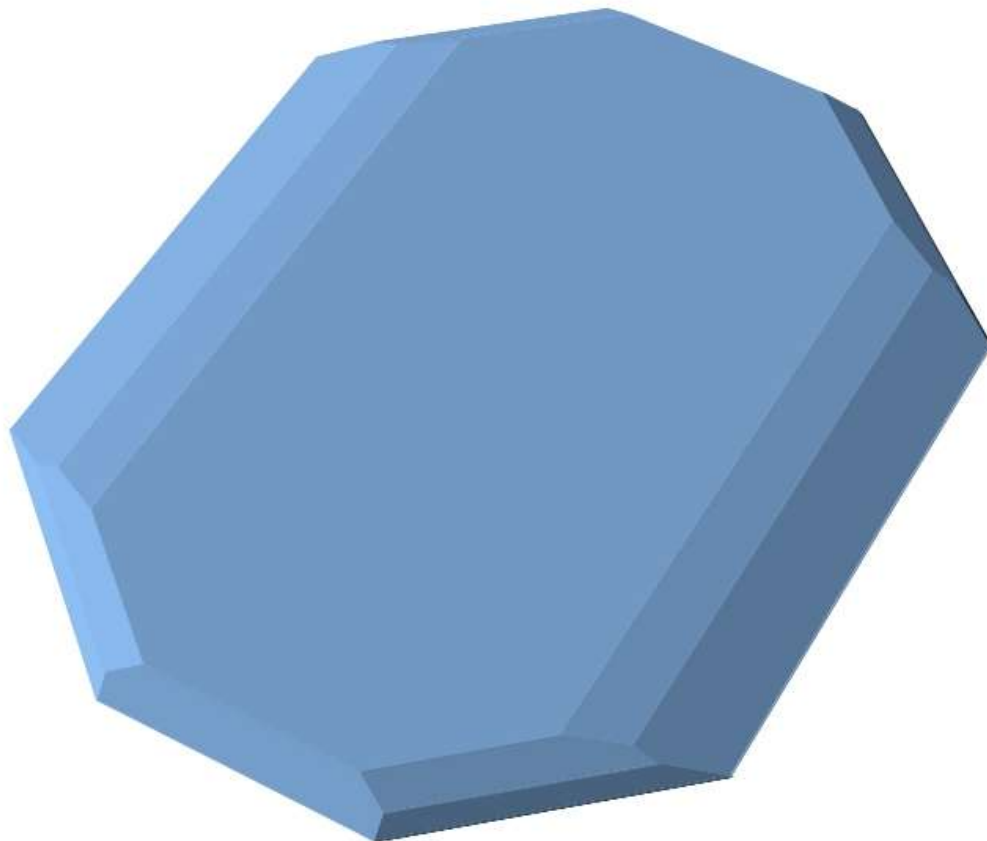
Eglestonite



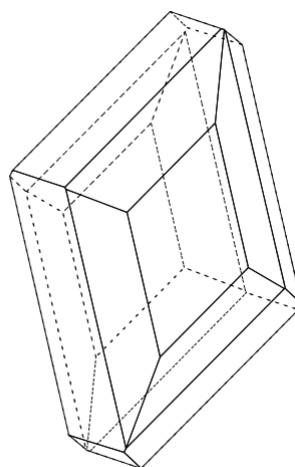
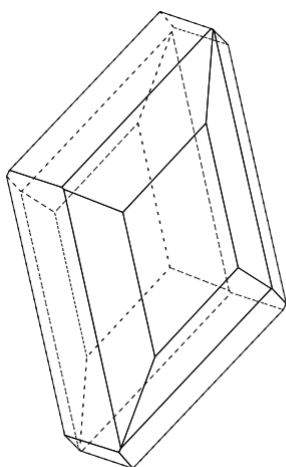
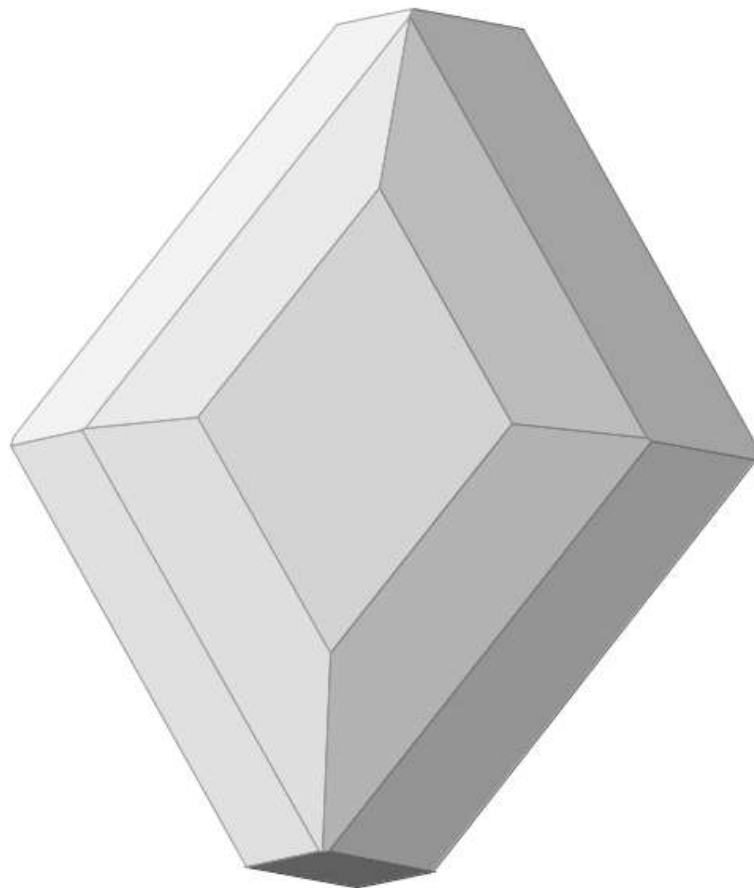
Ferrinatriite



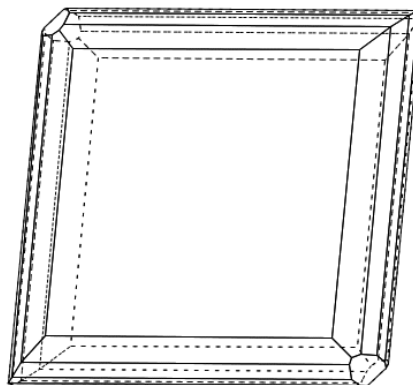
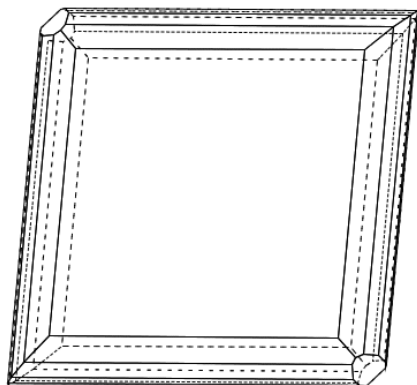
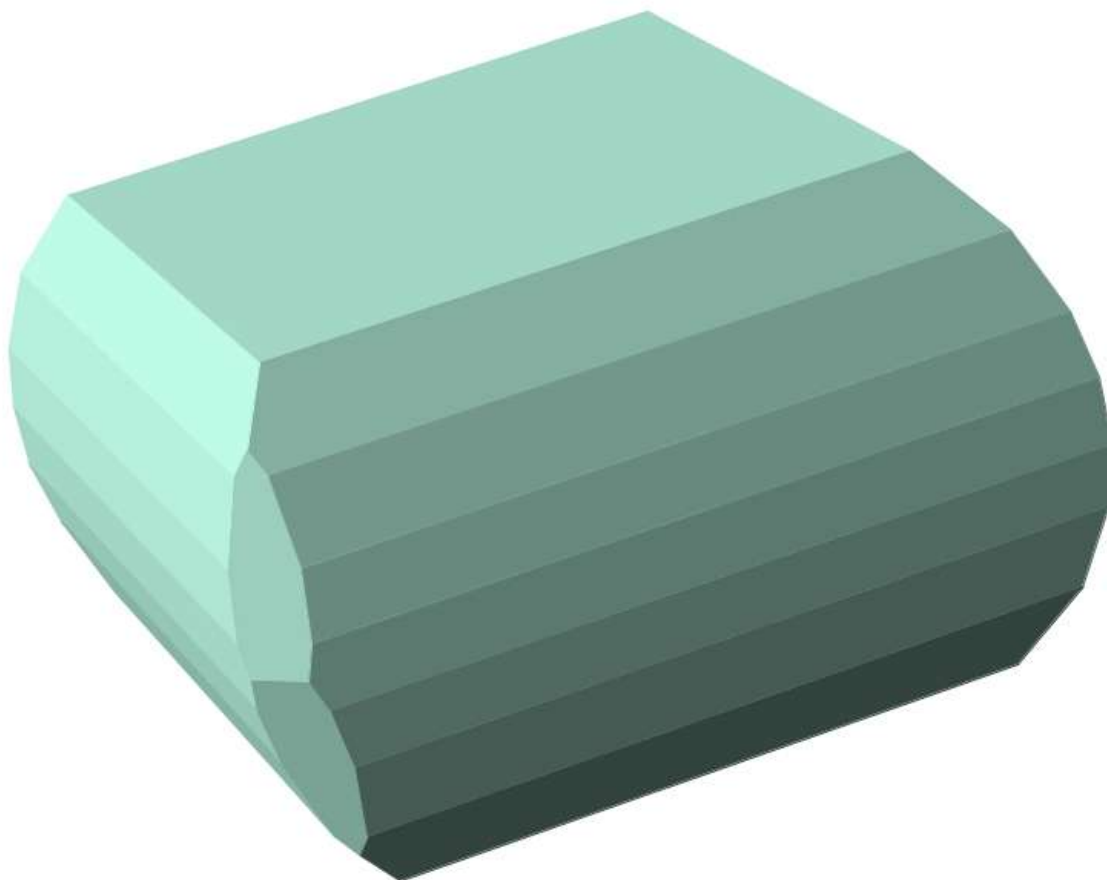
Ferrocolumbite



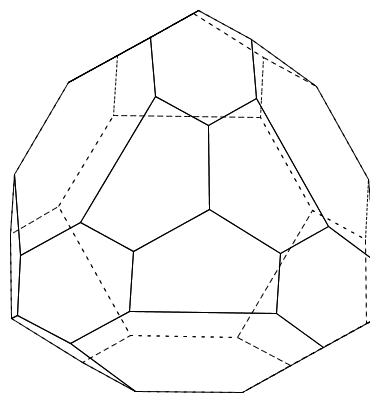
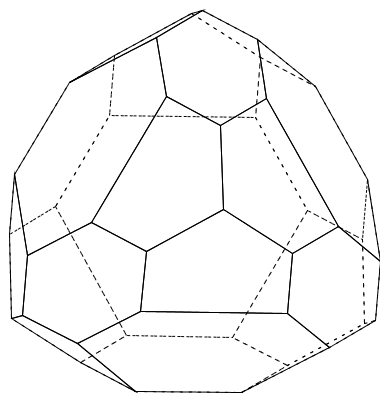
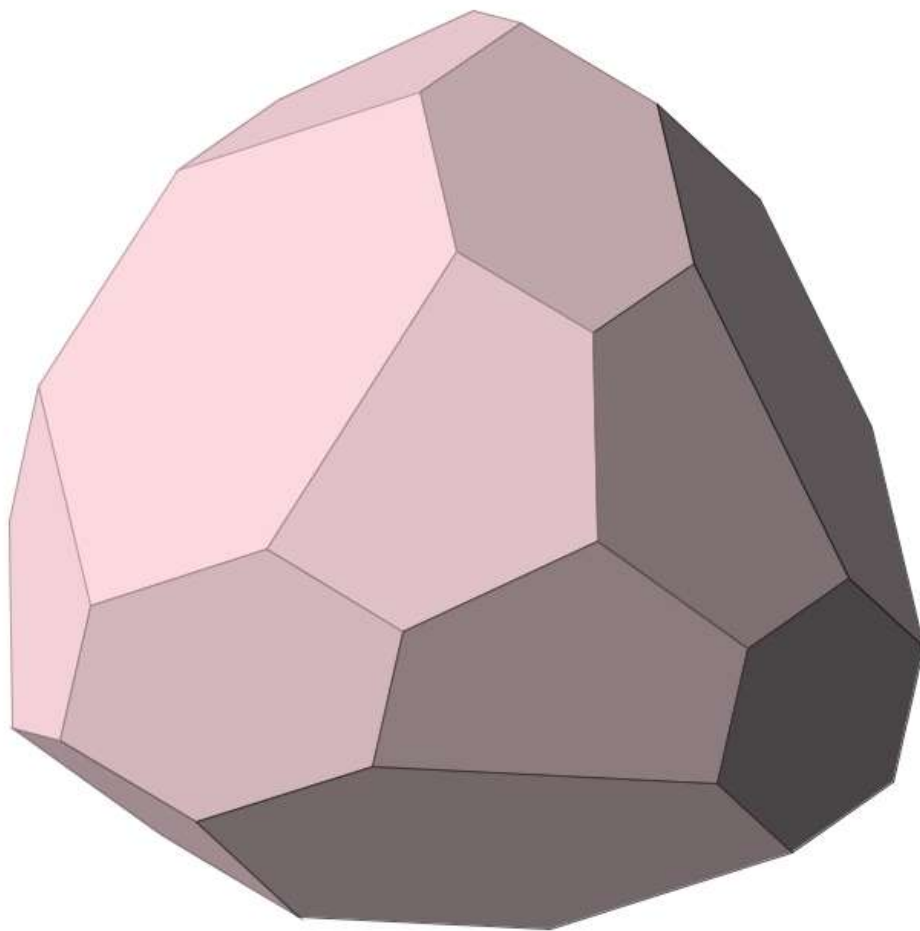
Fuloppite



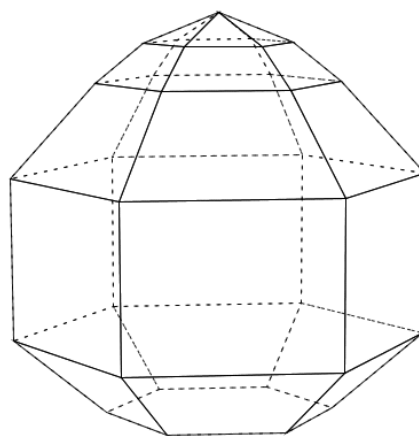
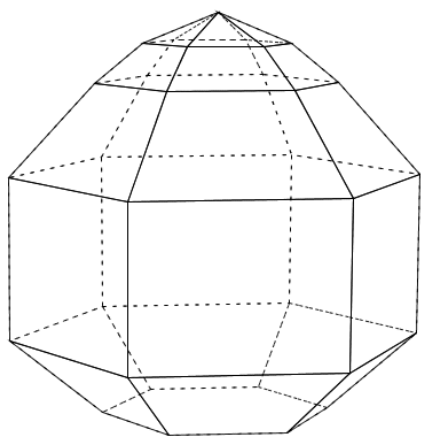
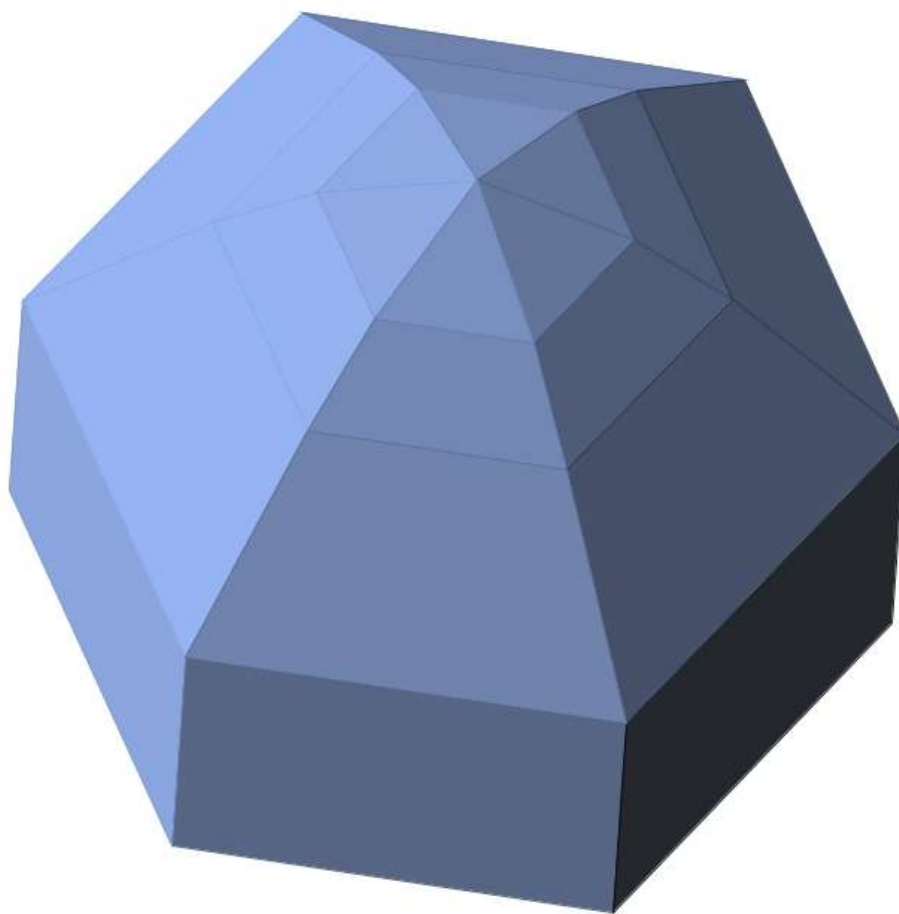
Gerhardtite



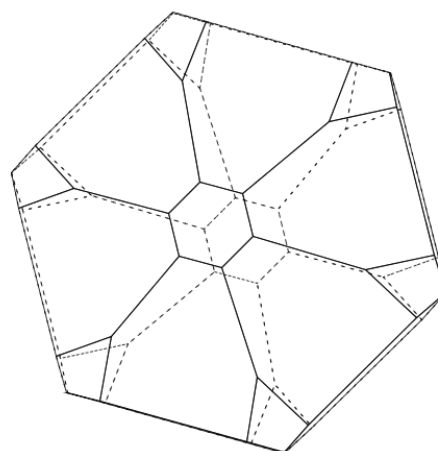
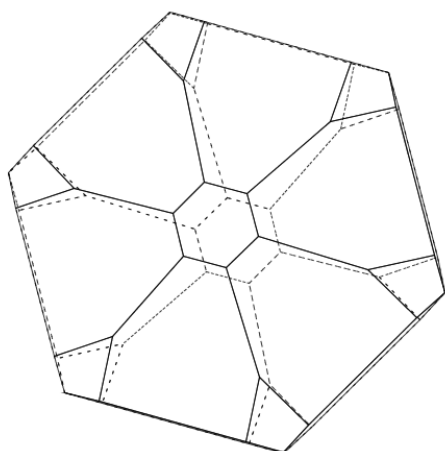
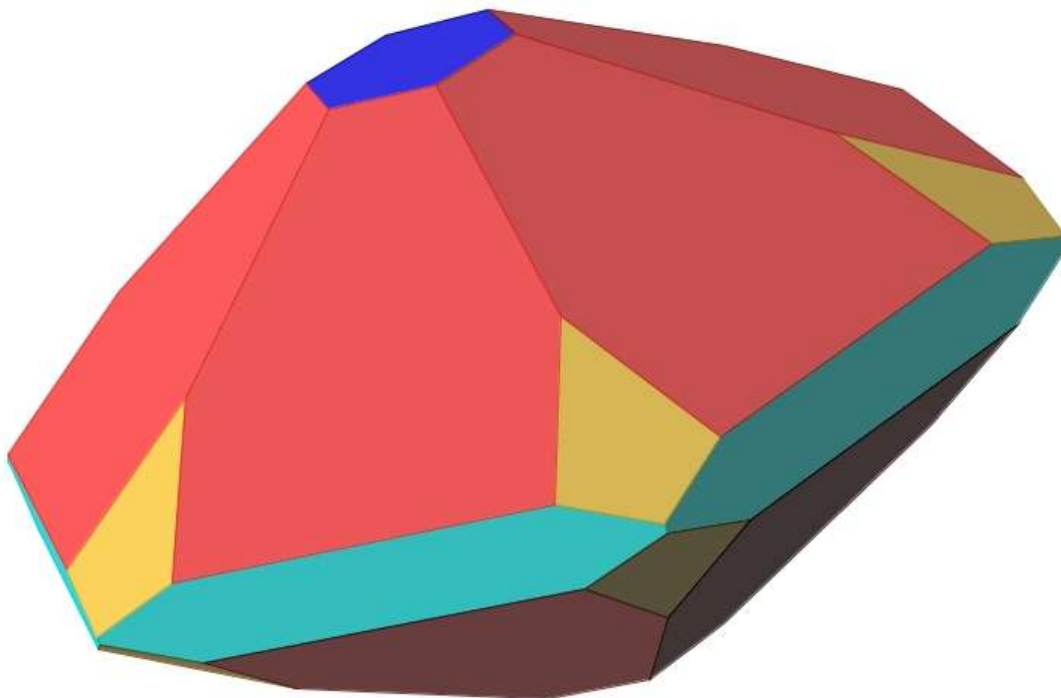
Gersdorffite



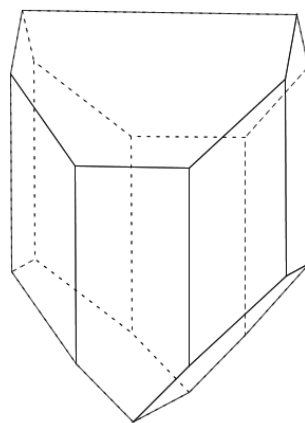
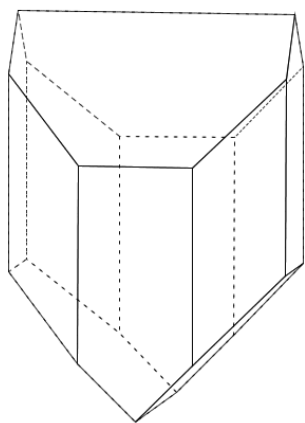
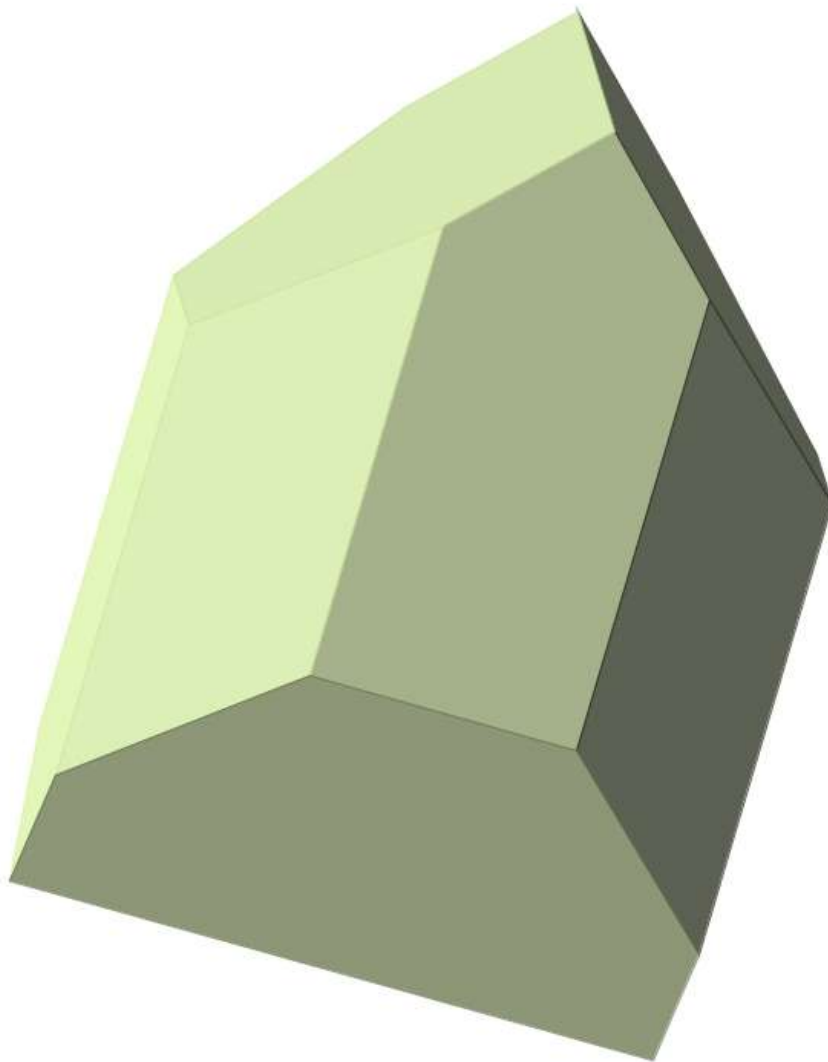
Greenockite



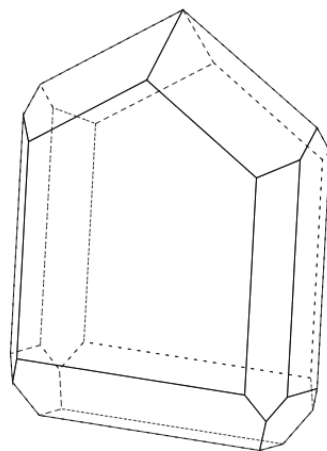
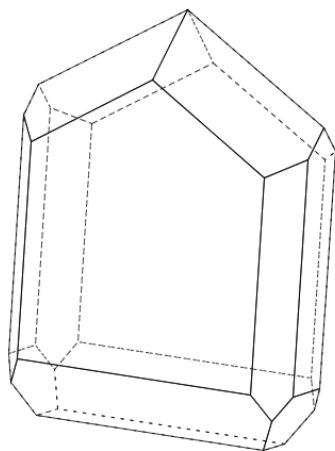
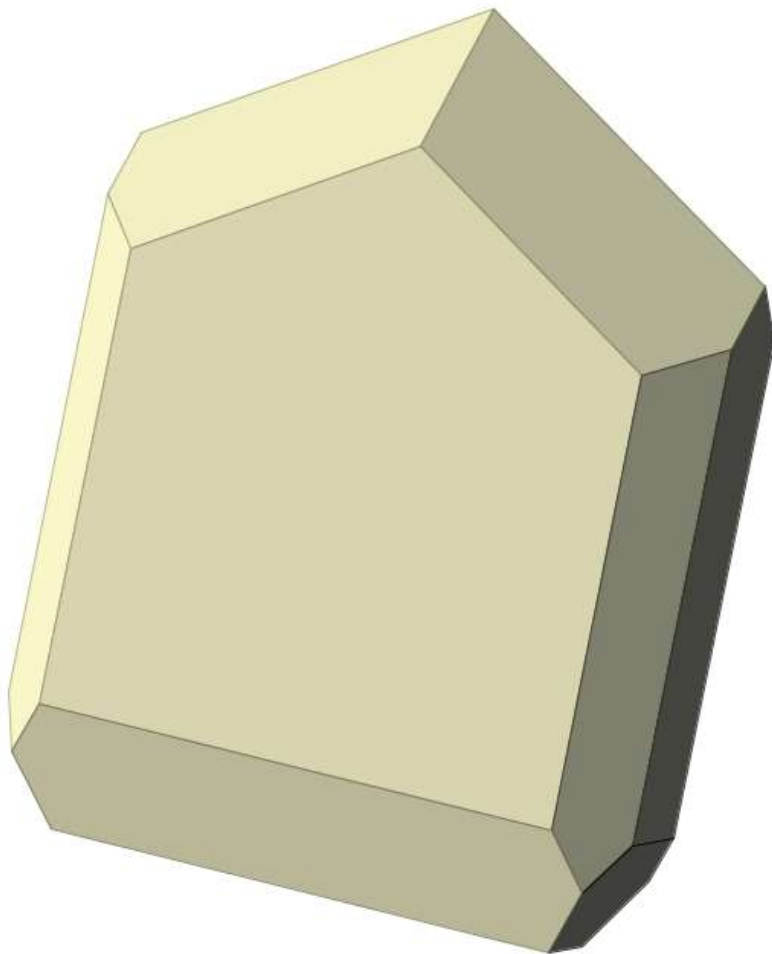
Hedyphane



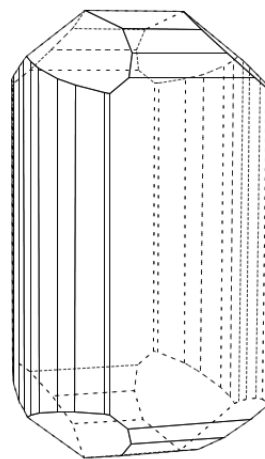
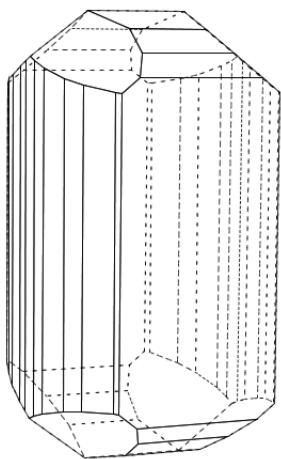
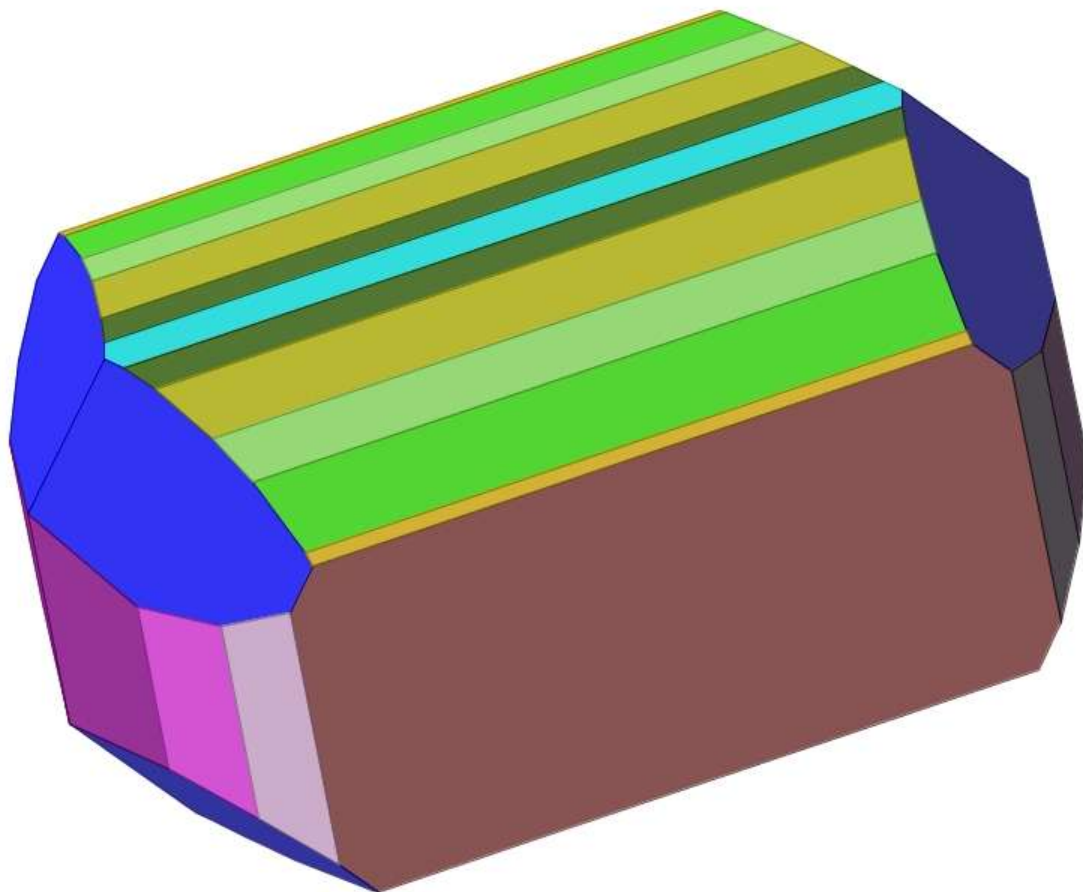
Hemimorph



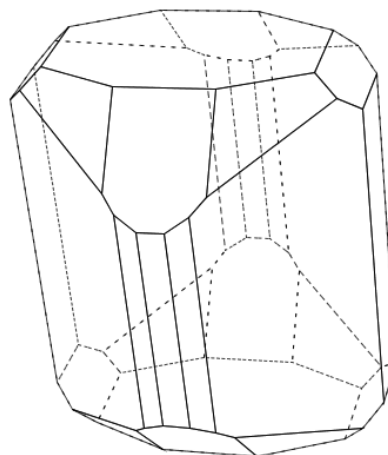
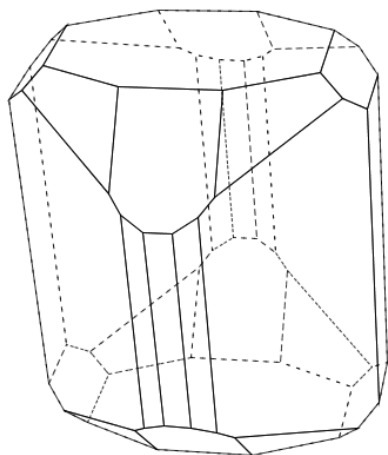
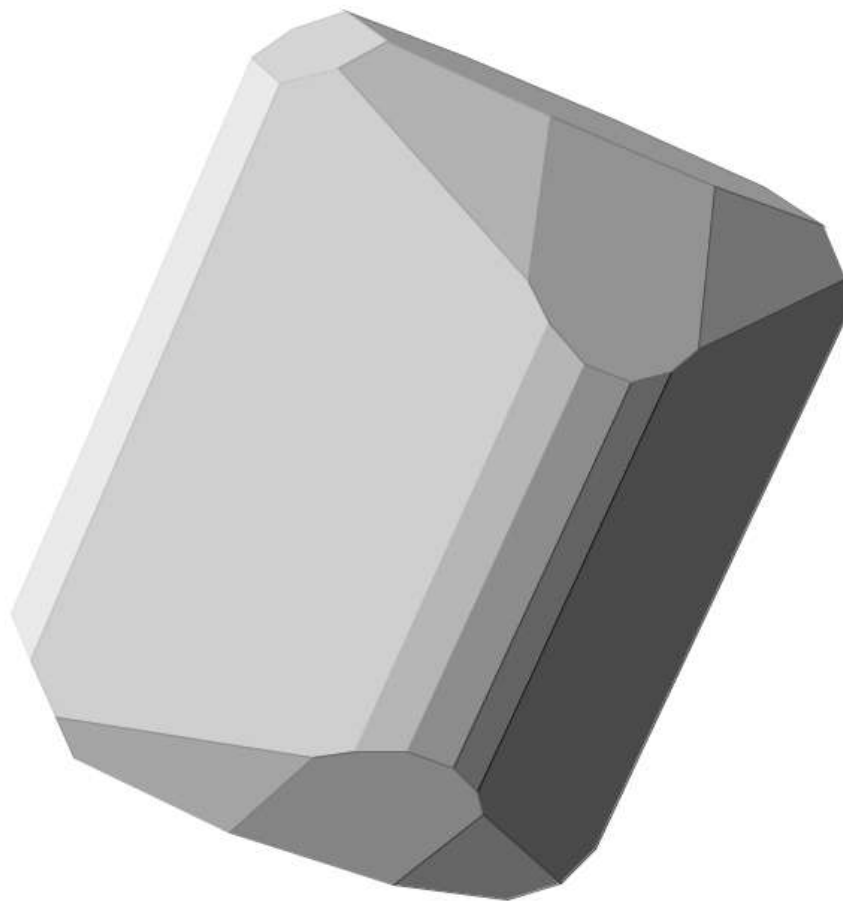
Hemimorphite



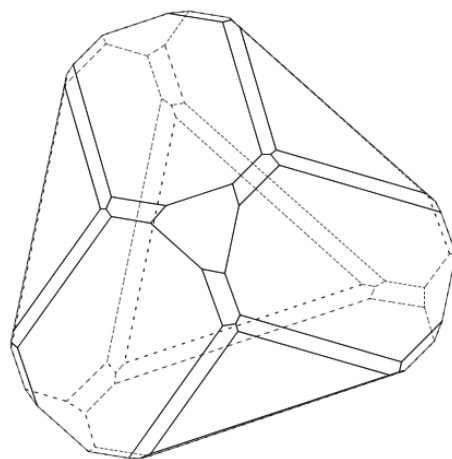
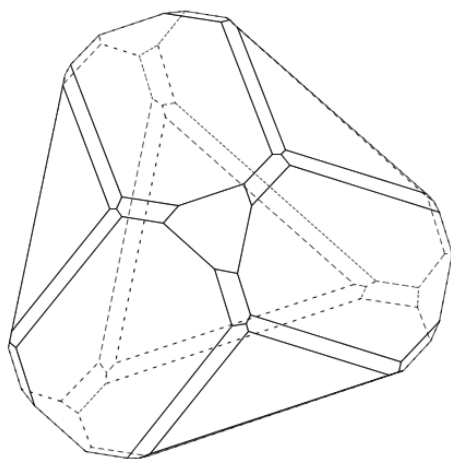
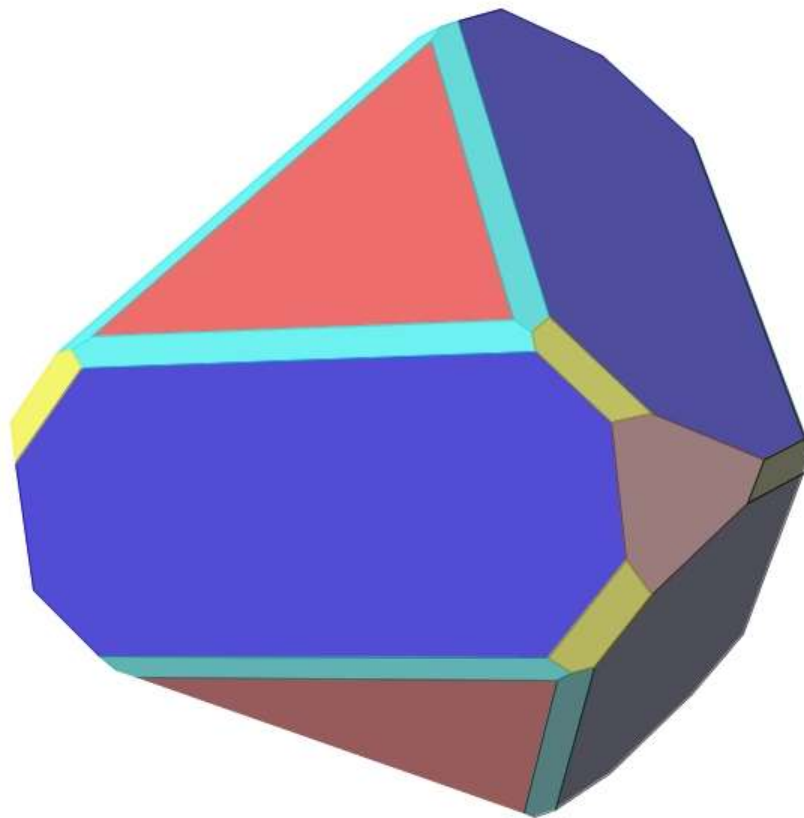
Hutchinsonite



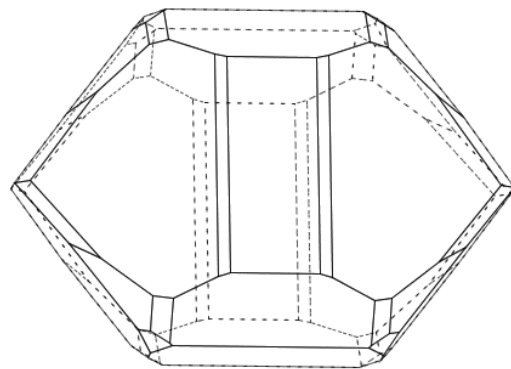
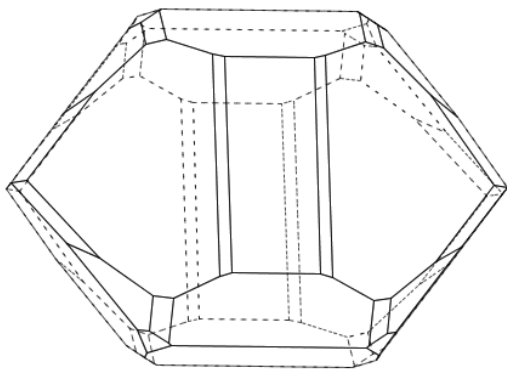
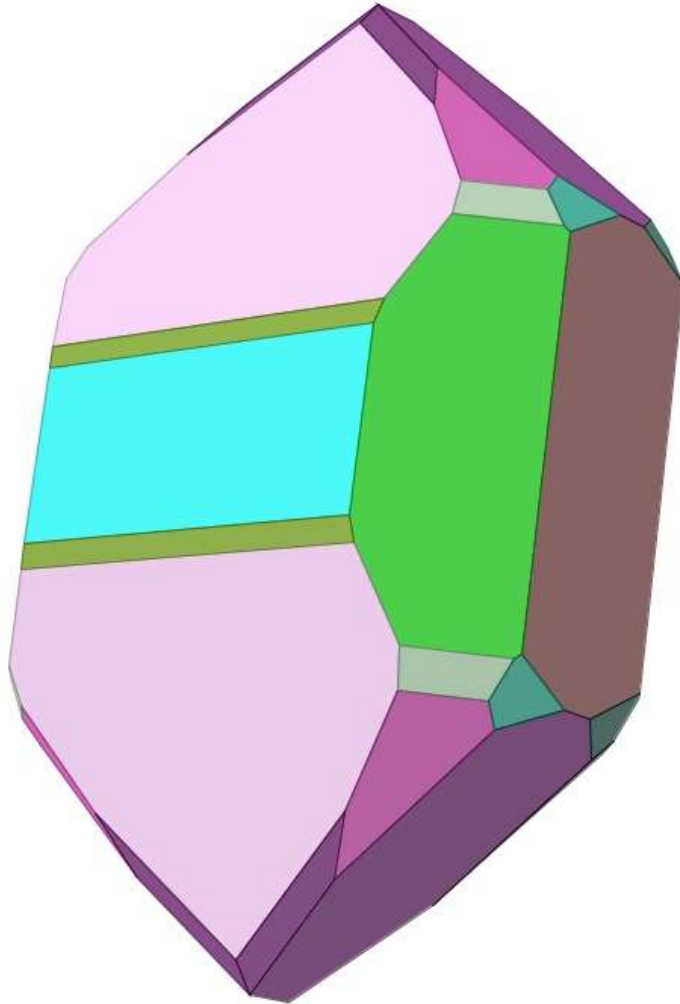
Krennerite



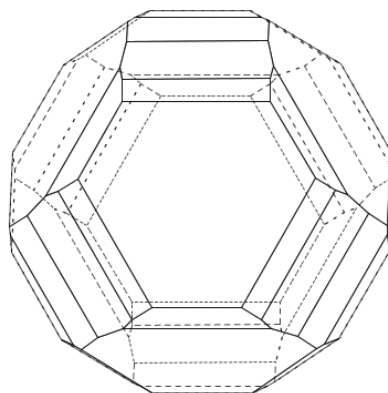
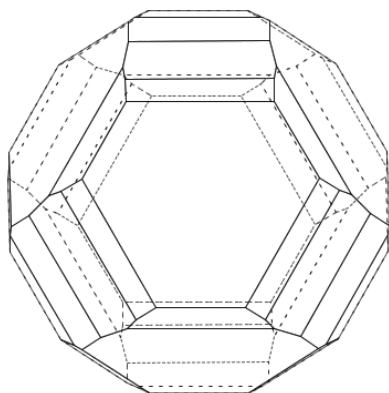
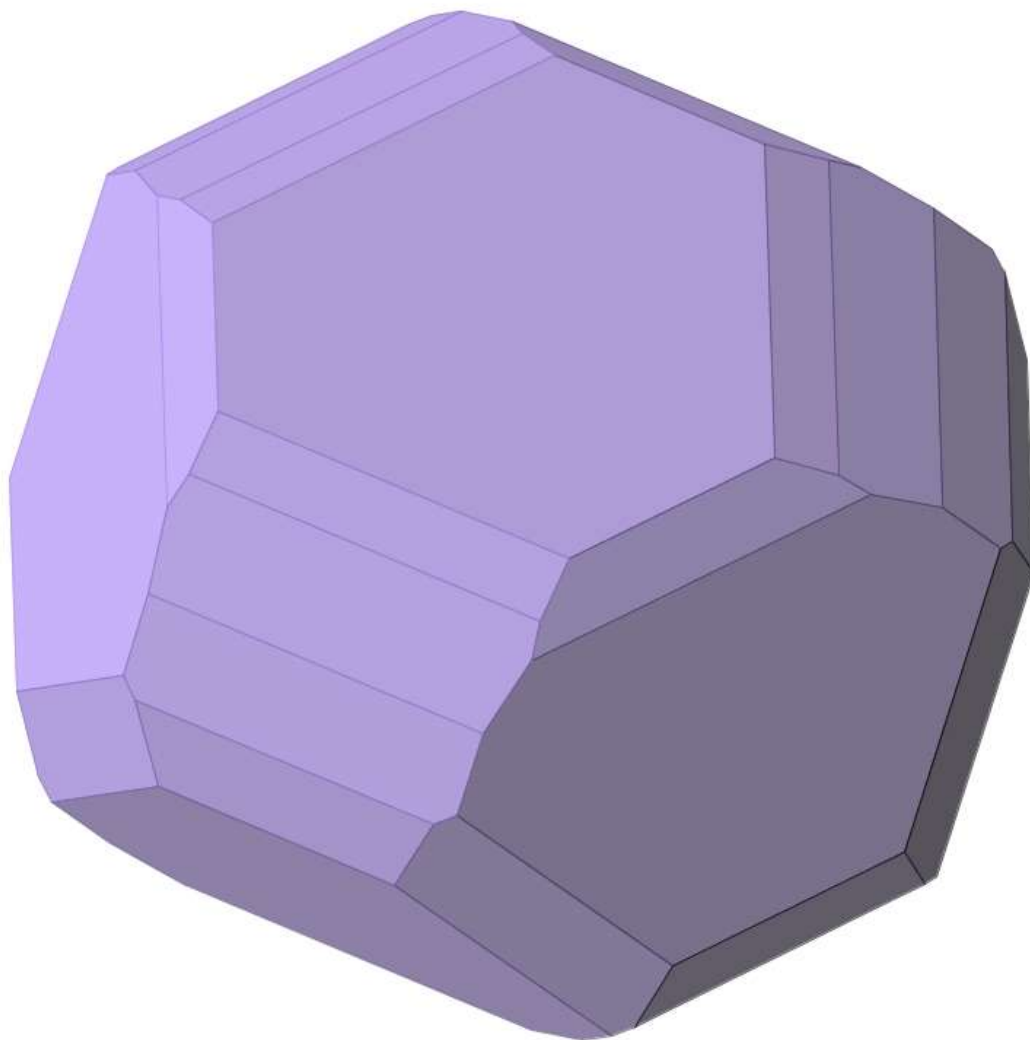
Langbeinite



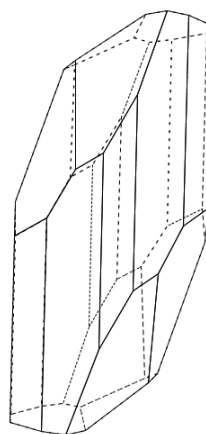
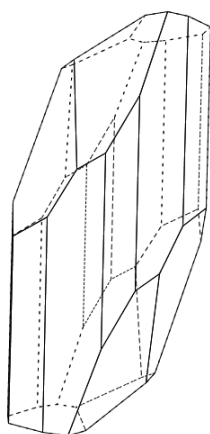
Montroydite



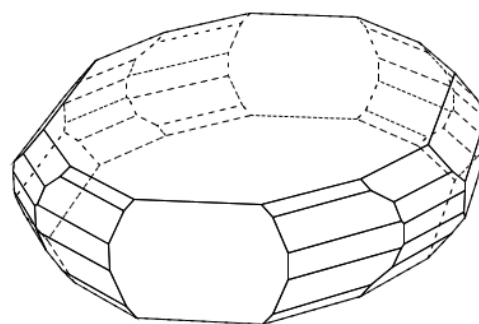
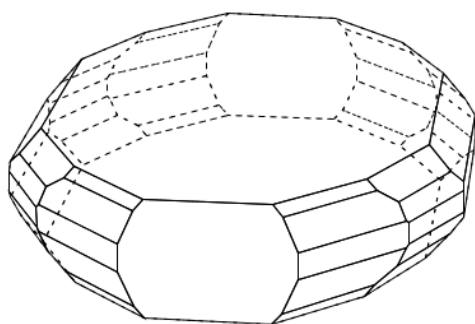
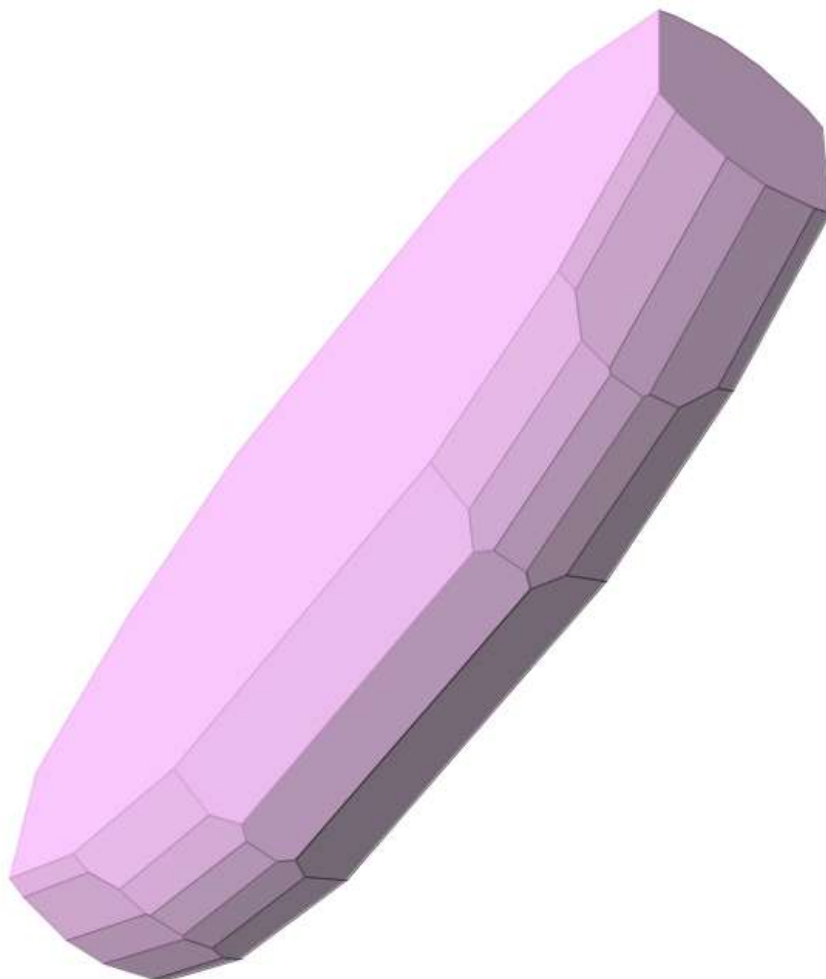
Paracoquimbite



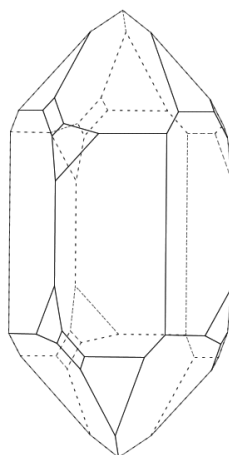
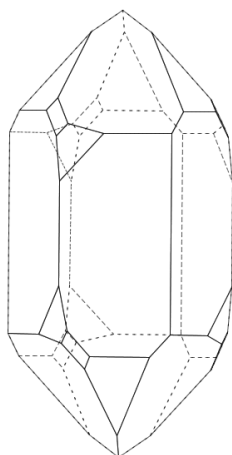
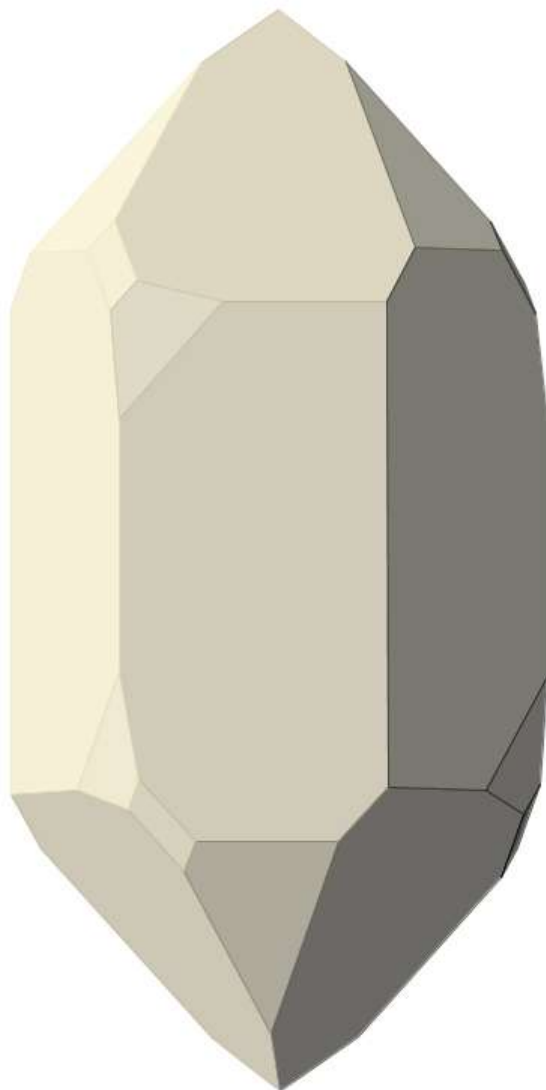
Phosphophyllite



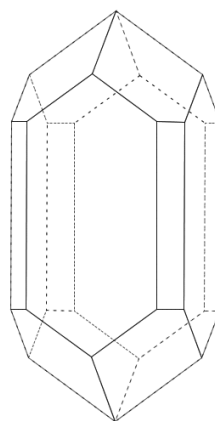
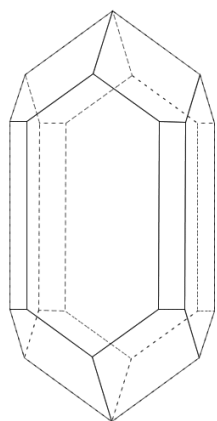
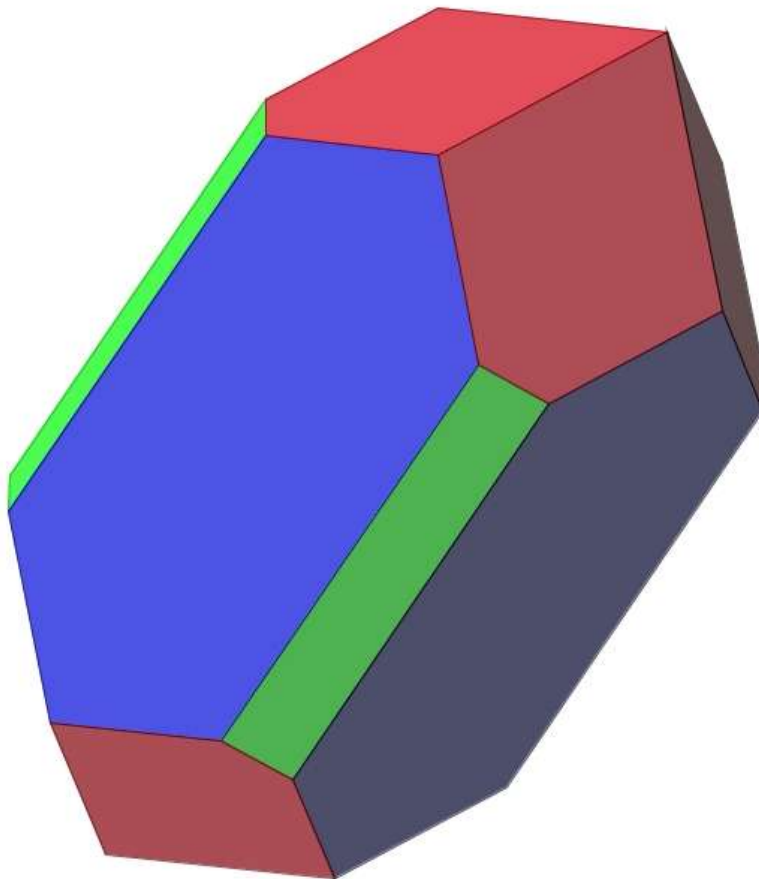
Phosphoferrite



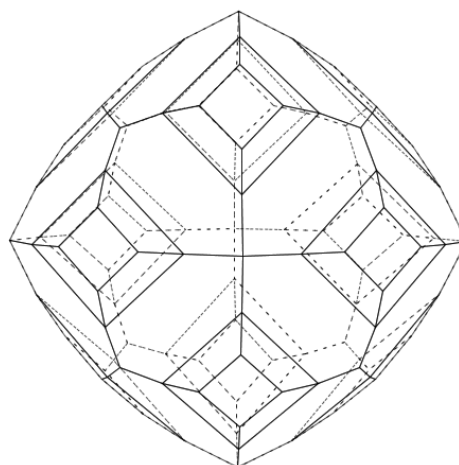
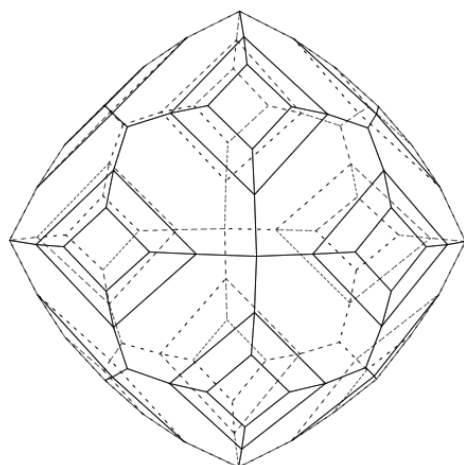
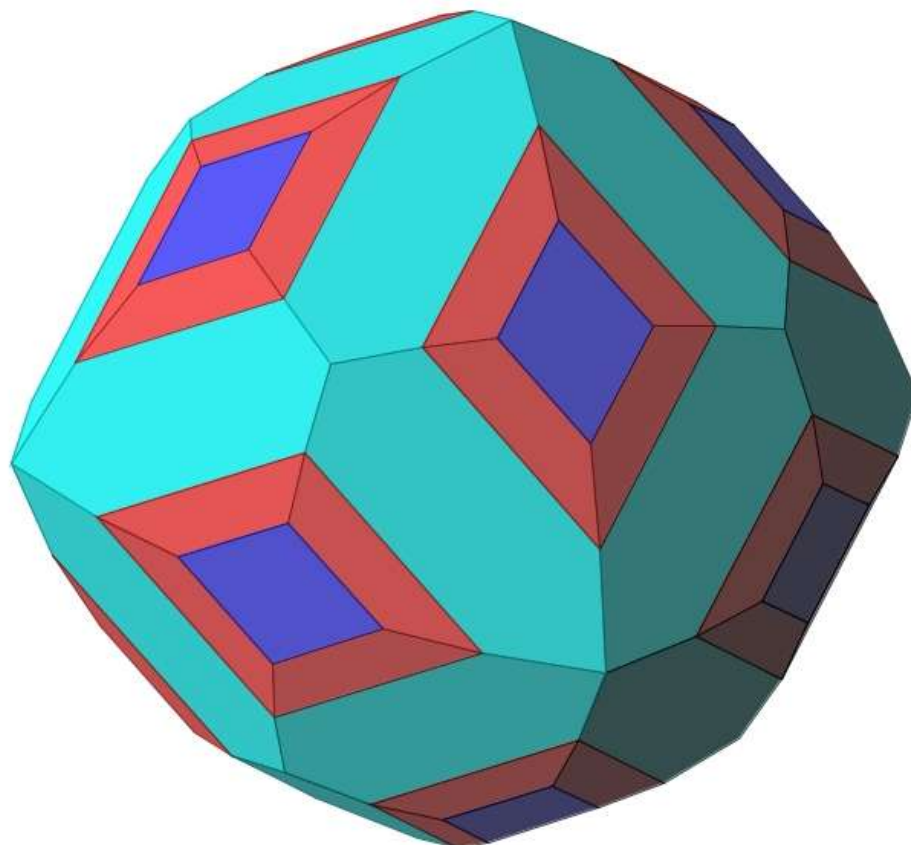
Quartz



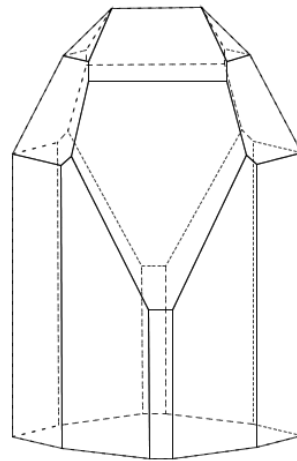
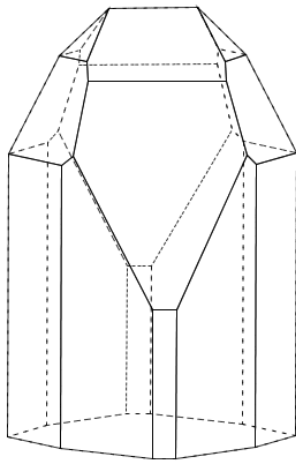
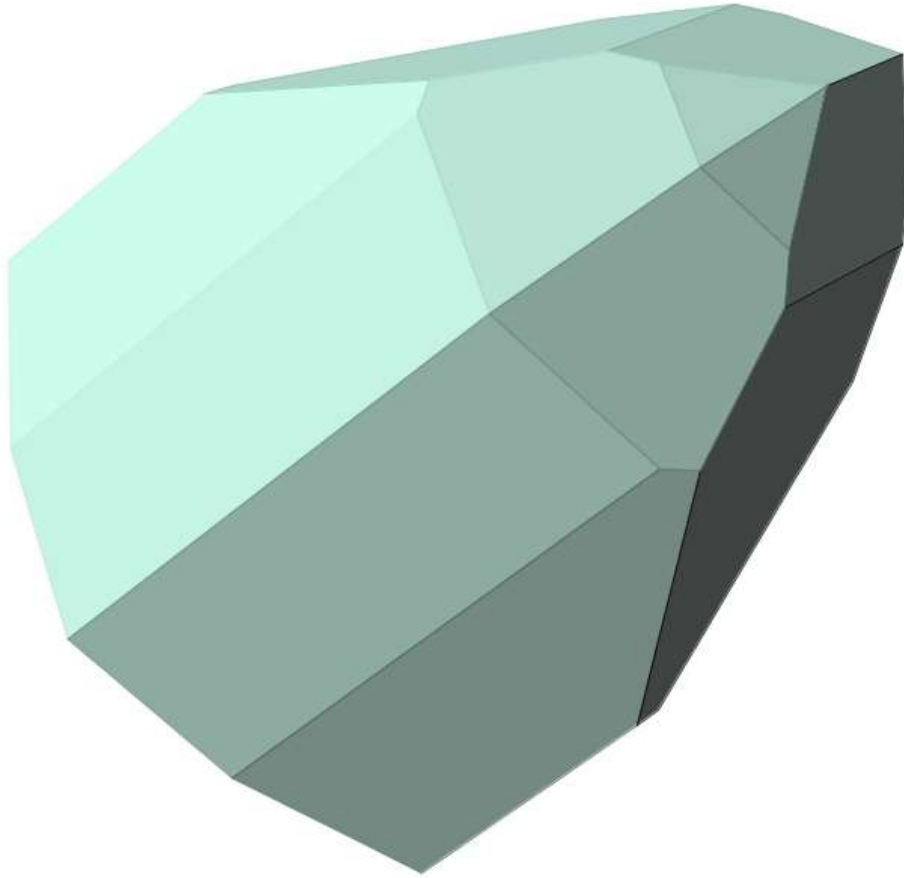
Rutile



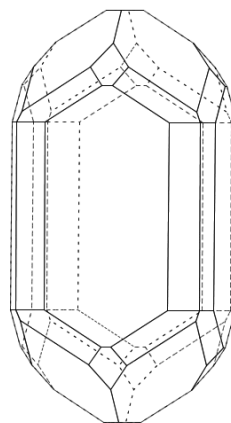
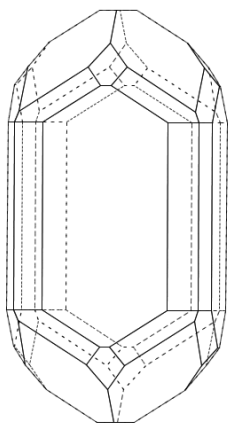
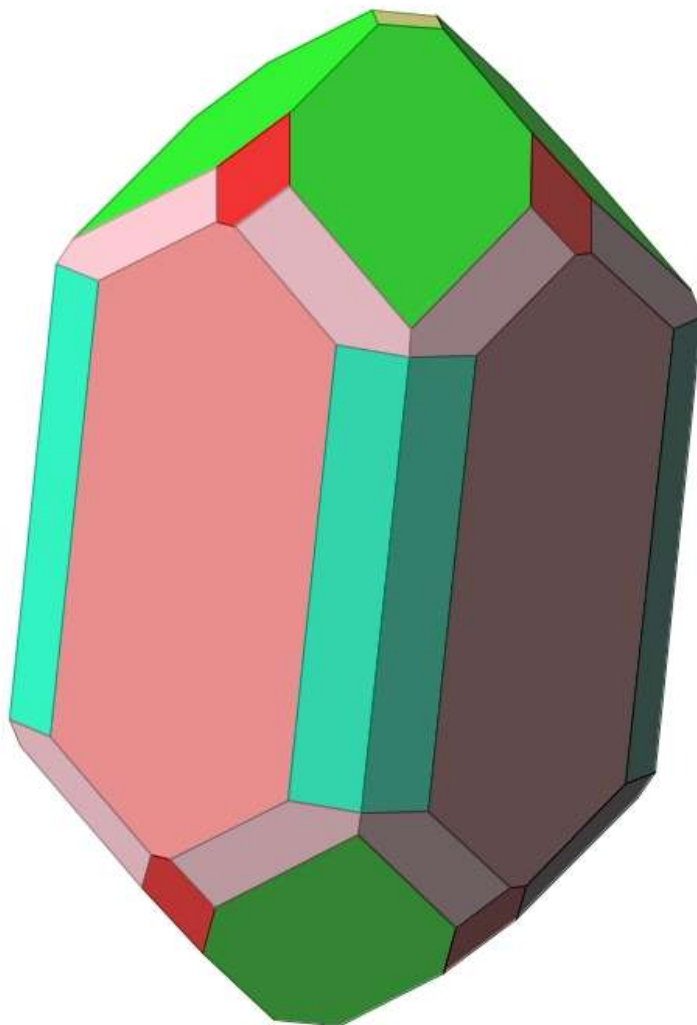
Sal-ammoniac



Topaz



Zirkon



Disclaimer

All models shown here (except the ones created by Udo Behner) can be viewed as interactive Applet renderings at <http://webmineral.com/java/index.shtml>

If you think you found mistakes in any of the images displayed in this volume please let me know so I can fix them. Please feel also free to contact me with suggestions for improvements and additions to these picture books.

You may contact me via email at: steffenweber@comcast.net

- This Volume Ends Here -